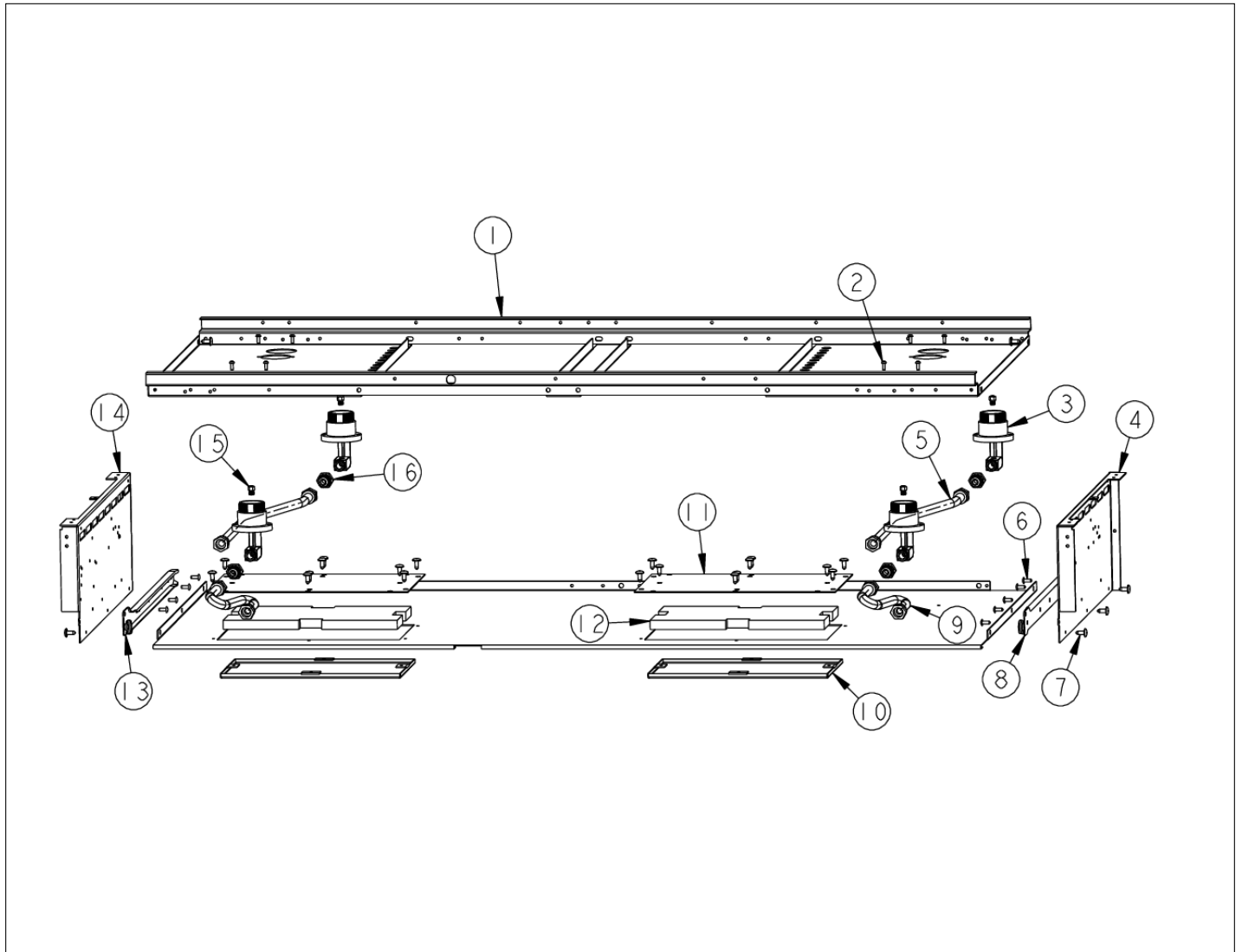


VDSC487-4GQAFTER06-22-06

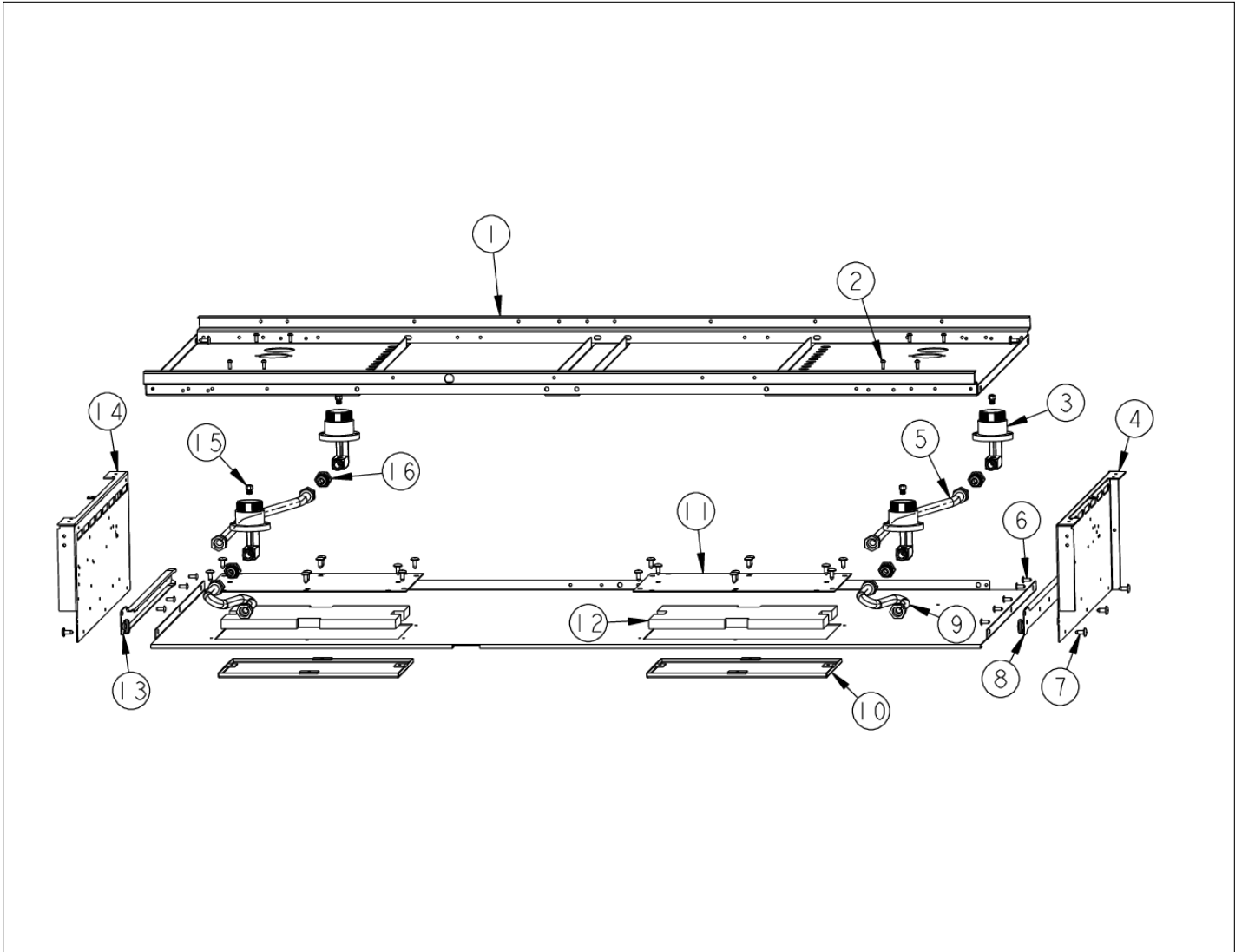
BURNER BOX INTERIOR	1
CONTROL AREA	2
DRIP TRAY	3
ELECTRONICS	4
GRIDDLE SUBASSEMBLY	5
GRILL SUBASSEMBLY	6
LH DOOR ASSEMBLY	7
LH OVEN MAIN CAVITY	8
LH OVEN UPPER CAVITY	9
LOWER UNIT AND SIDE PANELS	10
PE070775	11
PE070781	12
PE070783	13
PE070787	14
PE070804	15
REAR SHEET METAL	16
RH DOOR ASSEMBLY	17
RH OVEN MAIN CAVITY	18
RH OVEN UPPER CAVITY	19
SIMPLE HARNESSSES	20
SURFACE COOKING AREA	21
TOP BURNER IGNITER WIRE KIT	22
Appendix A:Pages Index	A
Appendix B:Parts Index	B

BURNER BOX INTERIOR





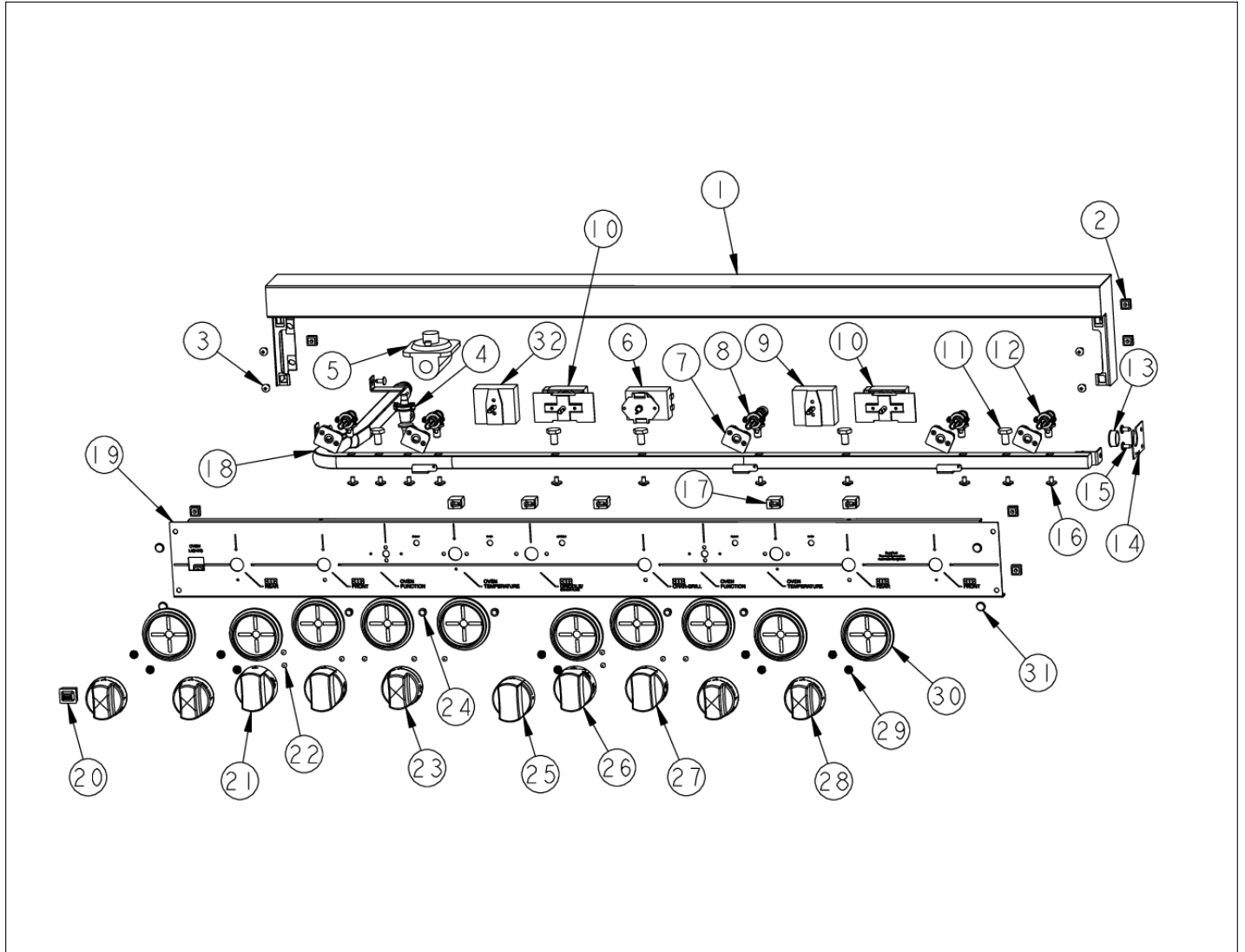
Item	Part No.	Name	Qty	Uom	NOTES
1	A20011240	48" SEALED BURNER SUPT. (4GQ)	1	EA	
2	PD020076	6-32 X 3/8" PHILL PAN MS	1	EA	
3	PA080075	Burner Body	1	EA	
Not Shown	NOTE	(Before 12/18/07)		EA	
NI	001394-042	15000 BTU NAT JETHOLDER	1	EA	
Not Shown	NOTE	(After 12/18/07)		EA	
NI	001394-043	13500 BTU LP JETHOLDER	1	EA	
Not Shown	NOTE	(After 12/18/07)		EA	
4	A2002544	BURNER BOX SIDE RH (VDSC48)	1	EA	NO LONGER AVAILABLE
5	PB020193	16" FLEX TUBING W/CONNECTORS	1	EA	
6	PC040010	POP RIVET (.063/GR -.125) GAMD42-A	1	EA	
7	PD020002	10 X 1/2 PH.TR.HD.SMS.	1	EA	
8	PK000008	Drip Tray Guide - RH	1	EA	NO LONGER AVAILABLE
9	PB020192	10" FLEX TUBING W/CONNECTORS	1	EA	
10	A20011246	VDSC487 DOOR LOCK INSUL. BOX	1	EA	NO LONGER AVAILABLE, Not available online / Call for pricing and availability
11	A1006344	DOOR LOCK ACCESS PANEL 48"	1	EA	NO LONGER AVAILABLE
12	PB070268	DOOR LOCK BOX INSULATION	1	EA	NO LONGER AVAILABLE
13	PK000007	DRIP TRAY GUIDE - LH (VGRT)	1	EA	NO LONGER AVAILABLE
14	A2002545	BURNER BOX SIDE LH (VDSC48)	1	EA	NO LONGER AVAILABLE, Not available online / Call for pricing and availability
15	PB040194	Orifice - Nat.	1	EA	
Not Shown	NOTE	(Before 12/18/07)		EA	
NI	001396-000	NATURAL GAS ORIFICE	1	EA	





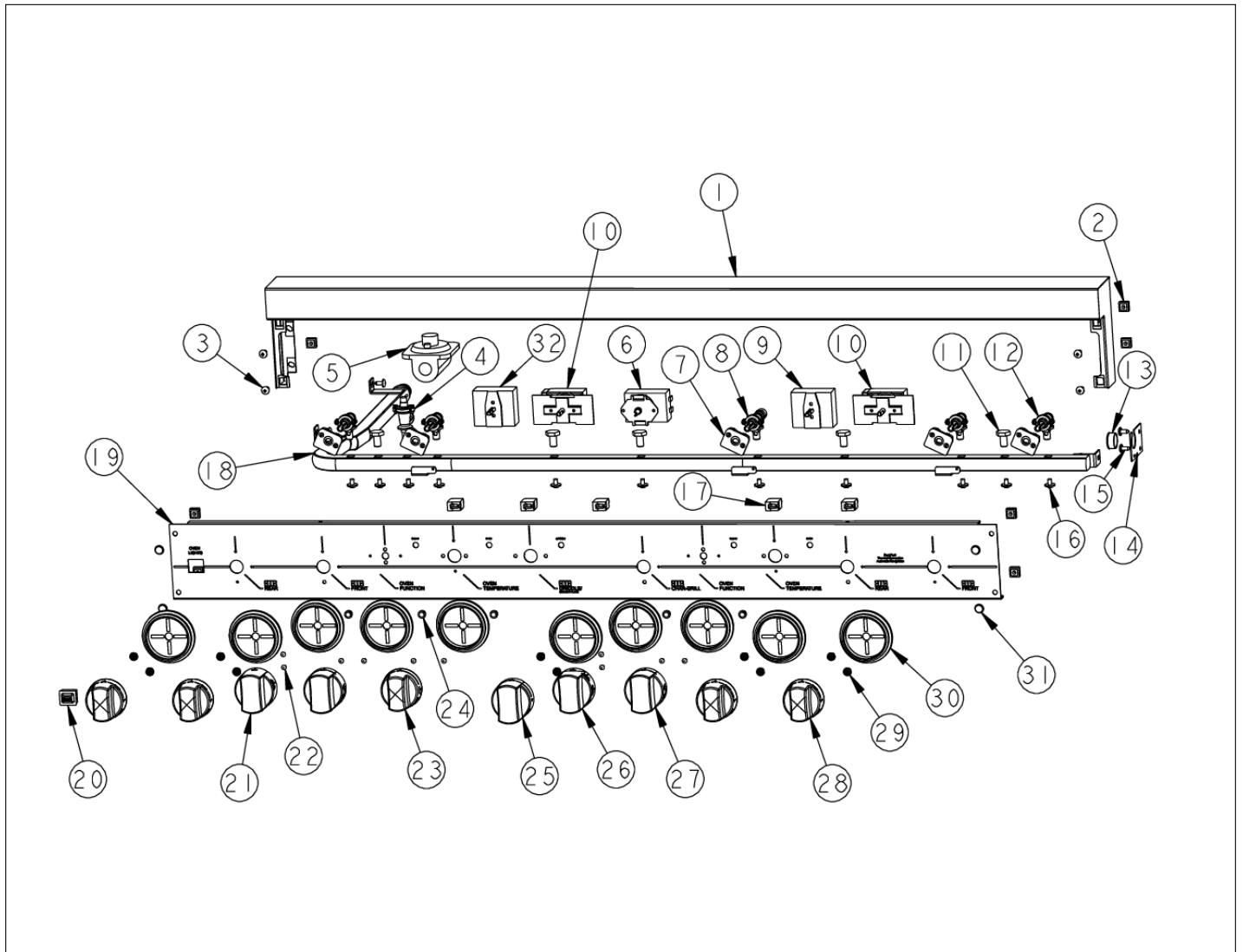
Item	Part No.	Name	Qty	Uom	NOTES
Not Shown	NOTE	(After 12/18/07)		EA	
NI	PB040217	L.P. ORIFICE	1	EA	
Not Shown	NOTE	(Before 12/18/07)		EA	
NI	005990-000	1.10 MM LP BTU ORIFICE	1	EA	
Not Shown	NOTE	(After 12/18/07)		EA	
16	PA050086	5/8" MALE FLARE FITTING	1	EA	Not available online / Call for pricing and availability

CONTROL AREA





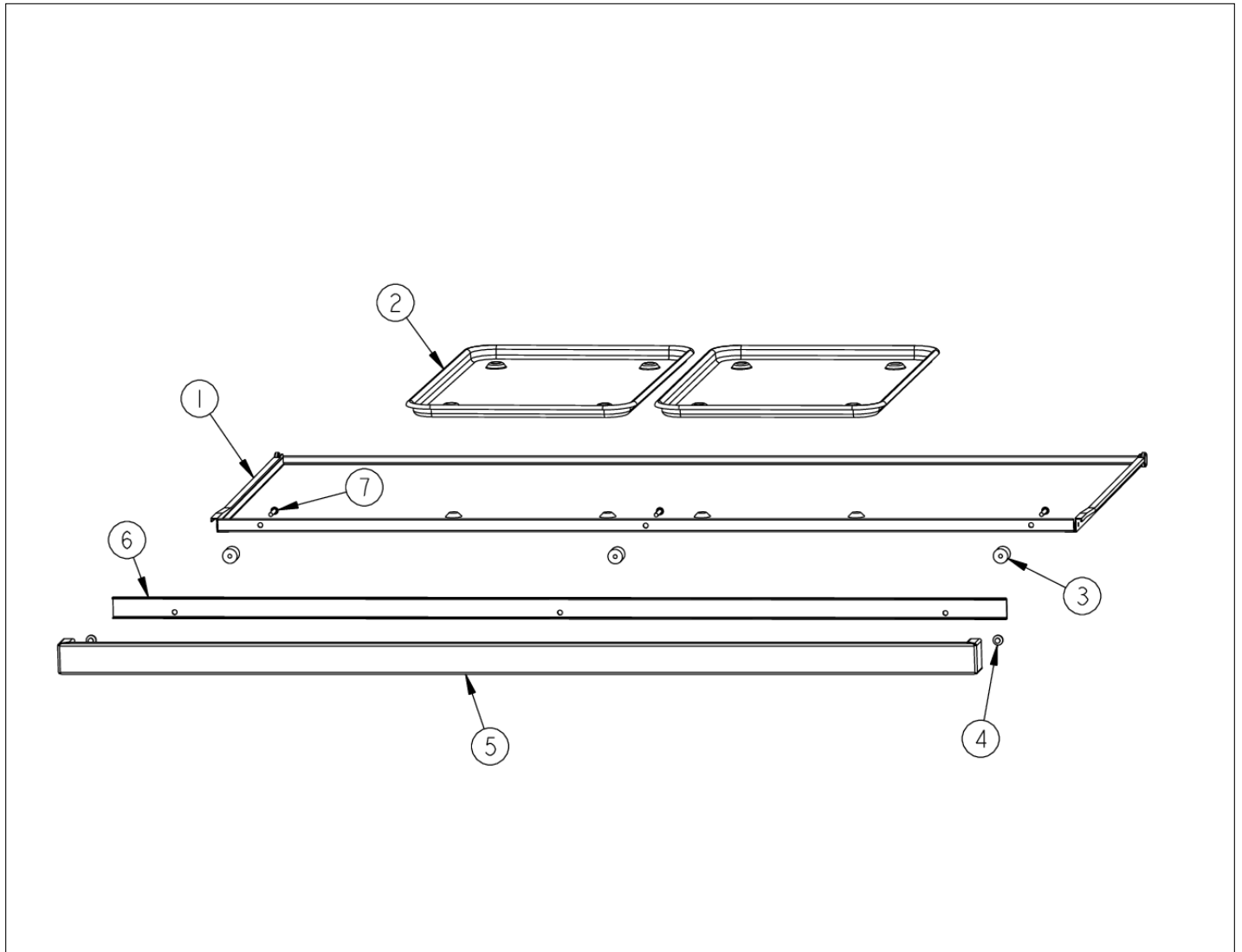
Item	Part No.	Name	Qty	Uom	NOTES
1	G3001168	LANDING LEDGE WELD ASSY - 48"	1	EA	
2	PD030005	SELF RETAINING NUT	1	EA	
3	PD010003	10-24 X 1/2 PH.TR.HD.SERD.M.S.	1	EA	
4	007147-000	SHUT OFF VALVE	1	EA	
5	PA070003	PRESSURE REGULATOR (NAT.)	1	EA	
6	PB010264	GRIDDLE THERMOSTAT	1	EA	
7	PA020045	Spark Ignition Switch	1	EA	
8	003536-000	PA010159 VALVE AND BOLT KIT	1	EA	
9	PJ030001	SELECTOR SWITCH (8- POSITION) VDSC	1	EA	
10	PS500033	SUB TO PS500033 - SELF CLEAN THERMOSTAT	1	EA	
11	PA010012	ROPER PLUG	1	EA	
12	003515-000	PA010157 VALVE AND BOLT KIT	1	EA	
13	PD040005	SNAP BUSHING - 7/8"	1	EA	
14	A1001138	MANIFOLD BRKT	1	EA	NO LONGER AVAILABLE, Not available online / Call for pricing and availability
15	PD020002	10 X 1/2 PH.TR.HD.SMS.	1	EA	
16	PD010012	VALVE BOLT 1/4-20 UNC-2B 5/16" M.S.	1	EA	
17	PE050024	OVEN IND. LIGHT (LIGHT HOUSING)	1	EA	
<p>Comments for Part Num. PE050024</p> <p>haarnink@vikingrange.com on Jan 14, 2019 please not that the indicator light is now part 043135-000 but needs the Jumper harness 051443-000. and second option there are units in the field with a 230V indicator light part number 036566-000.</p> <p>please check this for all "E" module ranges/Tops</p>					
18	002569-000	UNIVERSAL 48" MANIFOLD	1	EA	
19	B92015423	VDSC487C-4GQ CONTROL PANEL	1	EA	





Item	Part No.	Name	Qty	Uom	NOTES
20	PE050016	OVEN LIGHT SWITCH - *BK* (WES-GAR)	1	EA	
20	PE050017	OVEN LIGHT SWITCH - *WH* (WES-GAR)	1	EA	
21	PB010139	SELECTOR KNOB-5 POS.LH *BK* (VDSC48	1	EA	
21	PB010140	SELECTOR KNOB-5 POS.LH *WH* (VDSC48	1	EA	
22	PD020006	' #6-32 X 1/4" PH.PAN HD. T(F)	1	EA	
23	PB010103	GRIDDLE KNOB N/S *BK*	1	EA	
23	PB010104	GRIDDLE KNOB N/S *WH*	1	EA	
24	PE050023	OVEN IND. LIGHT (LENS & BEZEL)	1	EA	
25	PA010122	VGRC/IC/RT GRILL KNOB (BK)	1	EA	
25	PA010123	VGRC/IC/RT GRILL KNOB (WH)	1	EA	
26	PB010230	OVEN SELECT. KNOB*BK* VDSC307	1	EA	
26	PB010231	OVEN SELECT. KNOB*WH* VDSC307	1	EA	
27	PB010129	THERMOSTAT KNOB *BK* (VDSC)	1	EA	
27	PB010130	THERMOSTAT KNOB *WH* (VDSC)	1	EA	
28	PB010206	TOP BURNER KNOB BK	1	EA	
28	PB010207	TOP BURNER KNOB WH	1	EA	Not available online / Call for pricing and availability
29	PD020046	#8 X 1/2 SCREWS	1	EA	
30	050172-000	BEZEL, KNOB	1	EA	
30	PB010209	Bezel - BR	1	EA	
31	PD020033	SRW #10-24 X 1/2" T (23) PH WFR HD (NKL)	1	EA	
32	PJ030025	5 POS SELECTOR SWITCH	1	EA	

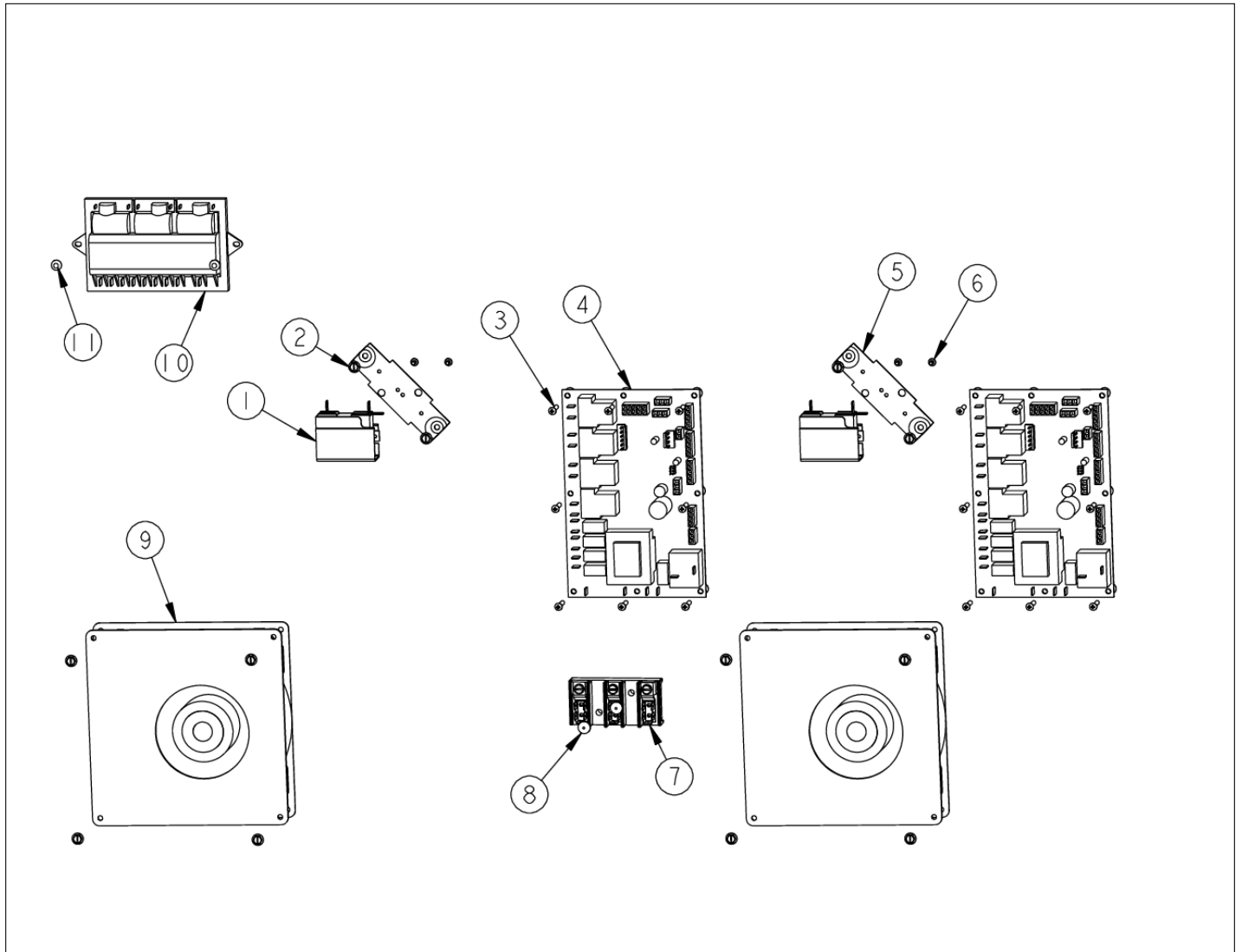
DRIP TRAY





Item	Part No.	Name	Qty	Uom	NOTES
1	G30013336	48" DRIP TRAY ASSY. 6Q &4GQ - NLA	1	EA	
2	J2101749	GREASE PAN	1	EA	
3	PD040028	BUSHING(.194ID/.750OD/.750L ONG)	1	EA	
4	PD040004	GROMMET BUMPER	1	EA	
5	G30010697	DRIP TRAY HANDLE ASSY 48"	1	EA	
5	G93011461PVD	DRIP TRAY HANDLE ASSY 48" PVD - NLA	1	EA	
6	A20010693	DRIP TRAY HANDLE BACK 48	1	EA	
7	PD020079	#10 X 1 1/4 PH. PAN HD. T(A) NYLOK	1	EA	

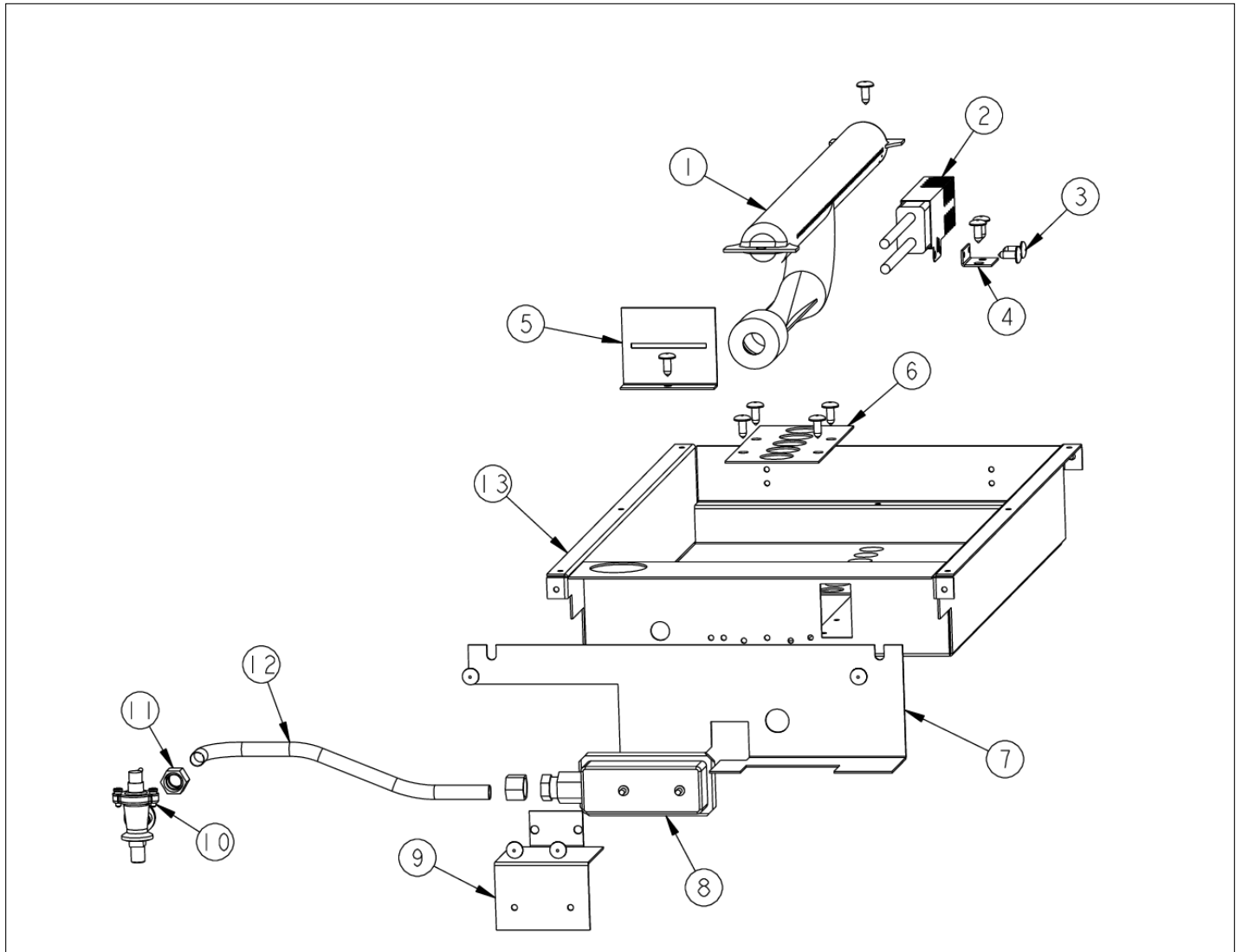
ELECTRONICS





Item	Part No.	Name	Qty	Uom	NOTES
1	PJ030002	AUTO RESET (SELF-CLEAN) VDSC	1	EA	
2	PD020003	#10 X 1/2 T(A) HEX WASHER HEAD	1	EA	
3	PD020185	Screw, 6 X 1" Pan Head	1	EA	
4	PE070786	ELECTRONIC CONTROL BOARD	1	EA	
5	A1002456	THERMO-DISC BRKT (VDSC)	1	EA	
6	PD020006	' #6-32 X 1/4" PH.PAN HD. T(F)	1	EA	
7	PE070147	TERMINAL BLOCK (VDSC)	1	EA	
8	PD020014	10X3/4 PH TR HD SMS	1	EA	
9	PE050026	COOLING FAN (VDSC)	1	EA	
10	PA020048	Spark Module (6B /6G/ 4Q)	1	EA	
11	PD020004	10X3/8PH.HD.TYPE 25 REPL PD040125	1	EA	

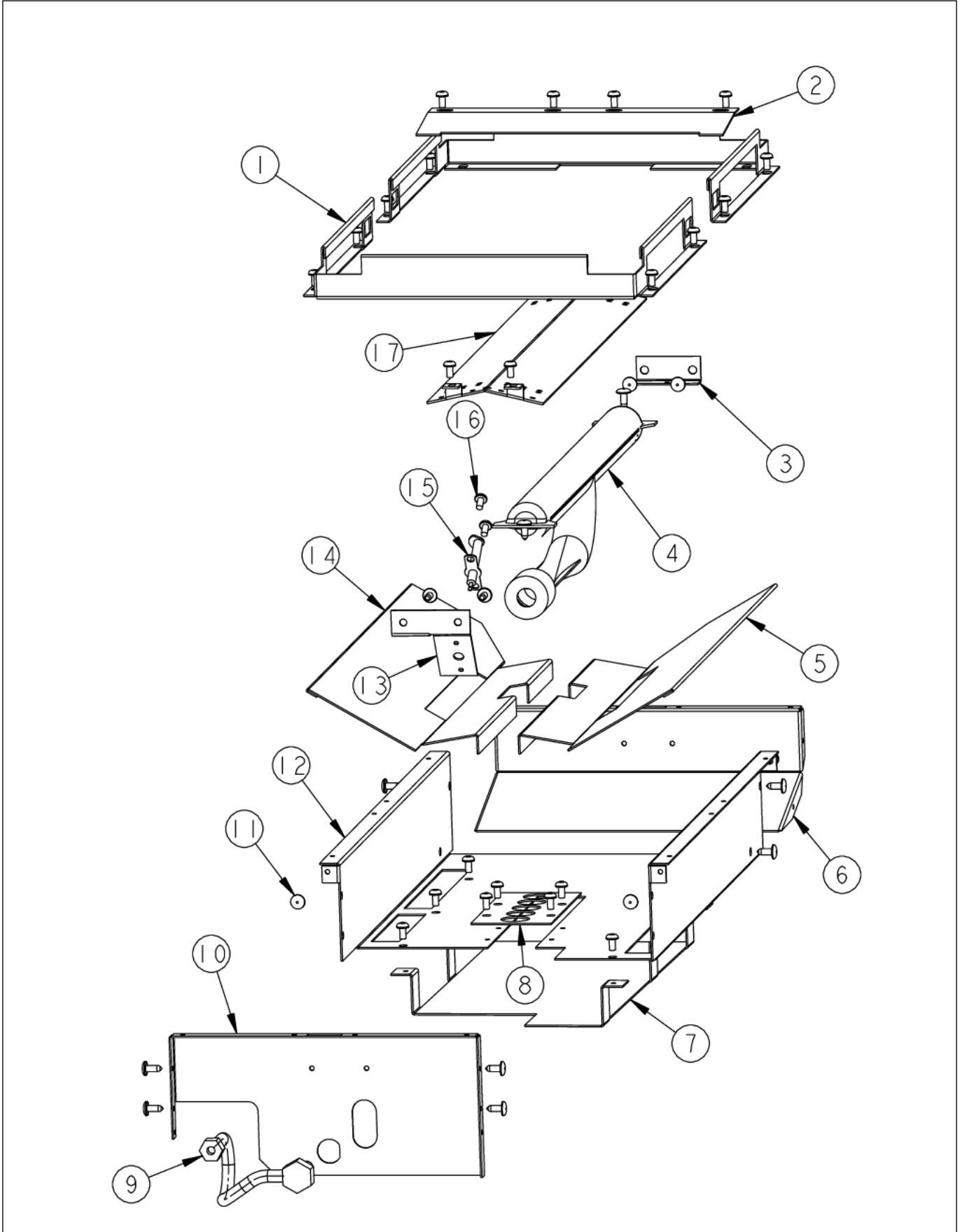
GRIDDLE SUBASSEMBLY





Item	Part No.	Name	Qty	Uom	NOTES
1	PB050074	Griddle Burner	1	EA	
2	PB040001	Igniter	1	EA	
3	PD020002	10 X 1/2 PH.TR.HD.SMS.	1	EA	
4	A2001300	Griddle Igniter Bracket	1	EA	
5	A2009580	Griddle Burner Bracket	1	EA	
6	A1007861	Griddle Venturi Cover	1	EA	Not available online / Call for pricing and availability
7	A20010470	Component Shield	1	EA	
8	PB010004	SINGLE SAFETY VALVE (NAT. GRIDDLE)	1	EA	
9	A2007867	Griddle Valve Bracket	1	EA	Not available online / Call for pricing and availability
10	007147-000	SHUT OFF VALVE	1	EA	
11	PB040192	3/8" CC FERREL (DGCU)	1	EA	
NI	PB040213	3/8" COMPRESSION NUT (DGCU)	1	EA	
12	PB020116	TUBING - 10" FLEXIBLE 12 & 24"	1	EA	
13	A2007862	Sealed Griddle Box	1	EA	

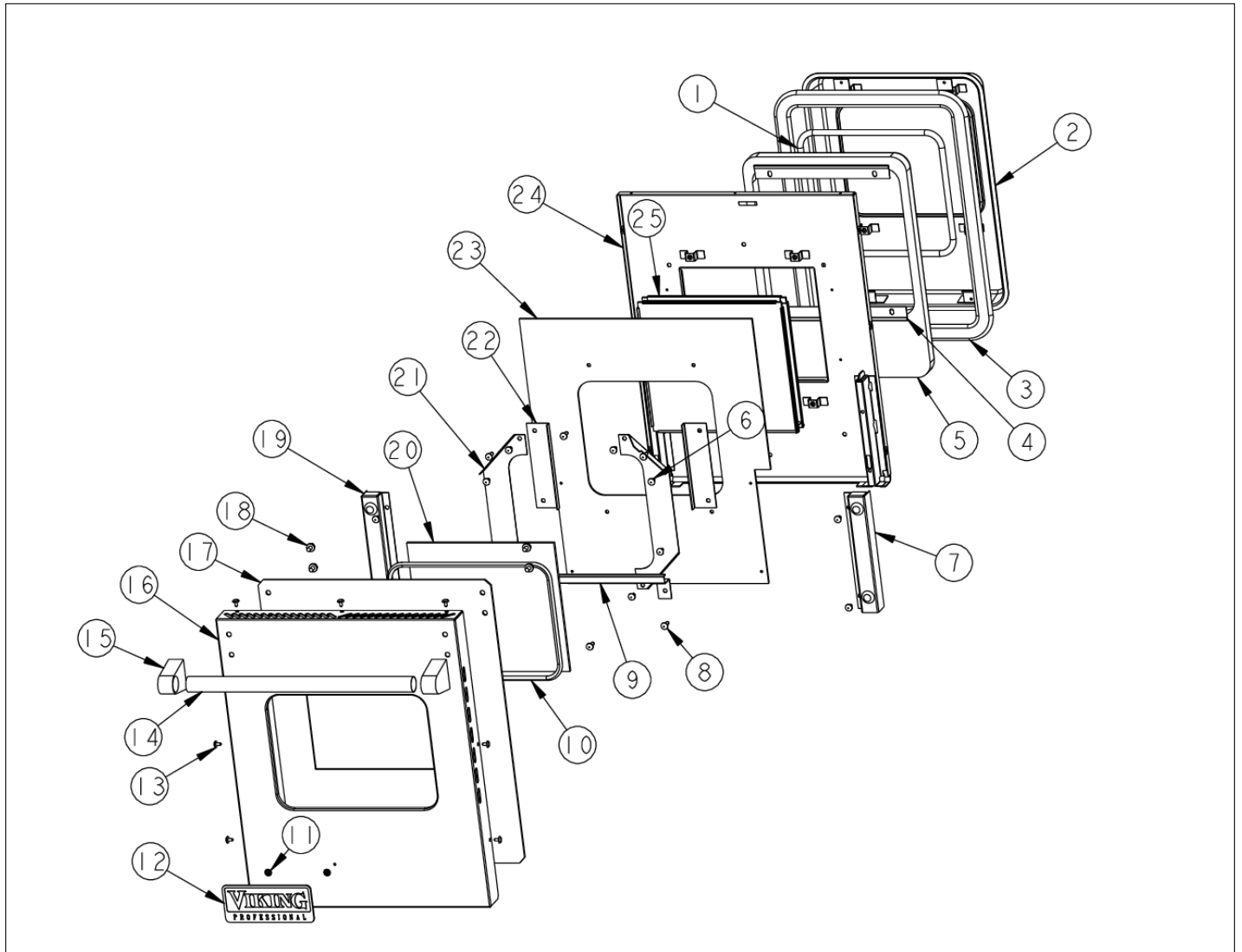
GRILL SUBASSEMBLY





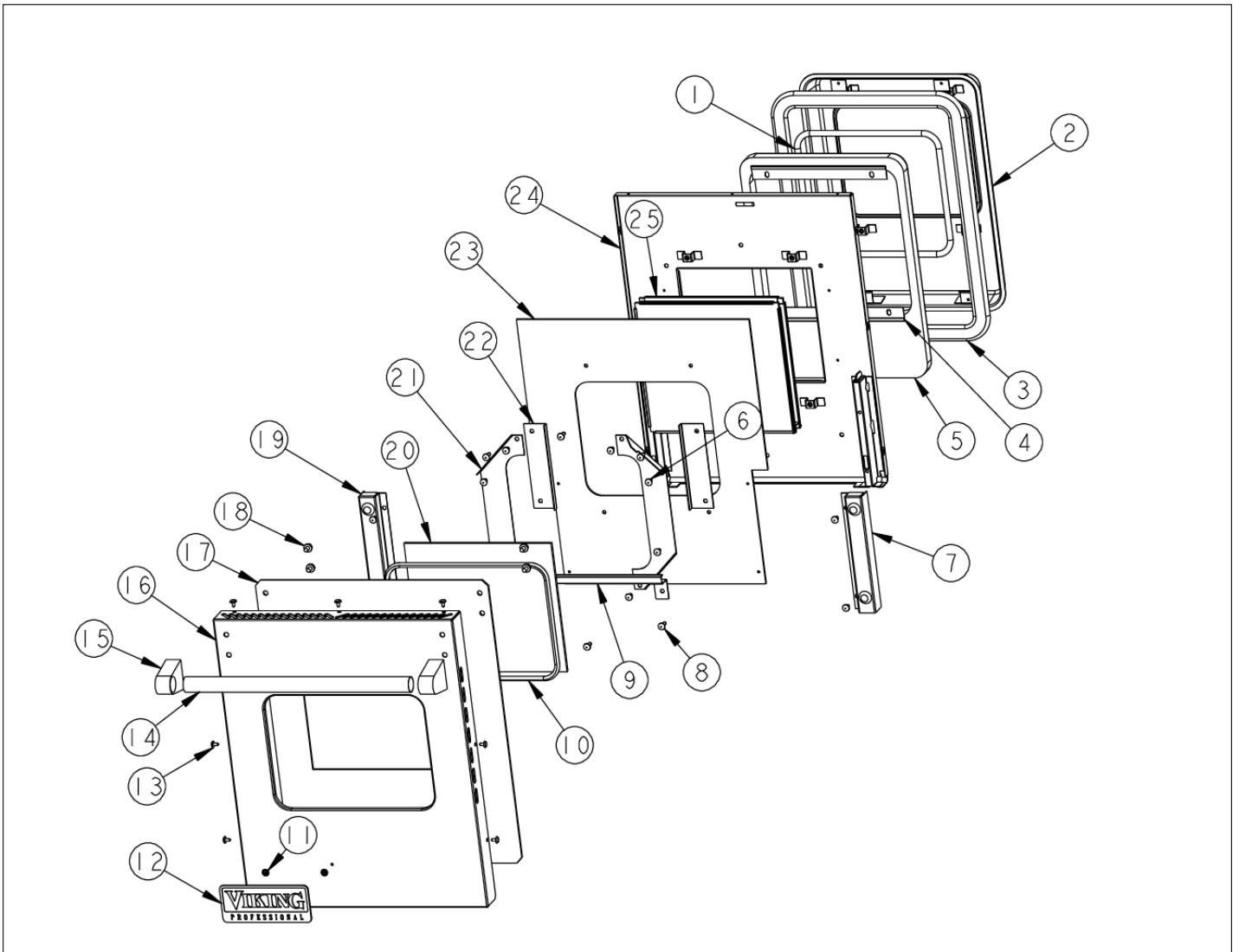
Item	Part No.	Name	Qty	Uom	NOTES
1	A2007871	SHIELD GRATE BRACKET	1	EA	NO LONGER AVAILABLE
2	A20010162	SHIELD BRACE	1	EA	
3	A2001132	REAR GRILL BURNER BRKT (VGRT)	1	EA	
4	PB050077	GRILL BURNER	1	EA	
5	B20010163	HEAT DEFLECTOR	1	EA	
6	A2001855	GRILL BACK - (VGRC605)	1	EA	
7	A2001863	GRILL BTM SHIELD (VGRC605)	1	EA	
8	A1007861	Griddle Venturi Cover	1	EA	Not available online / Call for pricing and availability
9	PB020025	TUBING-GRILL (REVISED) REP PB020021	1	EA	
10	A2001631	GRILL BOX FRONT (VGRC)	1	EA	
11	PD020002	10 X 1/2 PH.TR.HD.SMS.	1	EA	
12	A2007863	GRILL BOX	1	EA	NO LONGER AVAILABLE, Not available online / Call for pricing and availability
13	A2001633	GRILL FRONT SPARKER BRKT (VGRC)	1	EA	
14	B2009846	HEAT DEFLECTOR	1	EA	
15	PA020028	SPARK IGNITER	1	EA	
16	PD020004	10X3/8PH.HD.TYPE 25 REPL PD040125	1	EA	
17	G30012657	FLAME SHIELD ASSEMBLY	1	EA	

LH DOOR ASSEMBLY



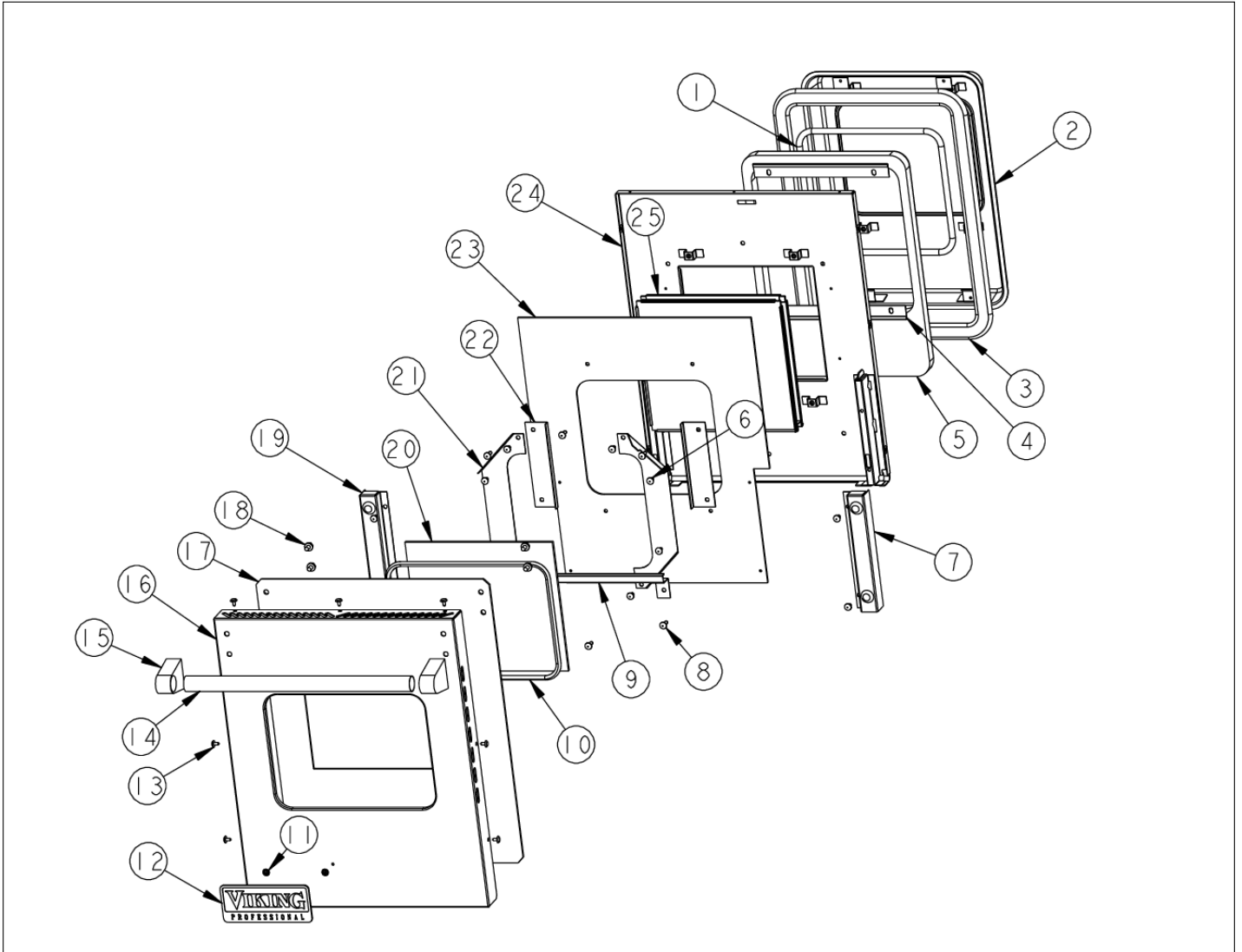


Item	Part No.	Name	Qty	Uom	NOTES
1	000594-000	BLACK FIBERGLASS ROPE 3/8	1	EA	
2	H9102507	DOOR PLUG ASSY LH (VDSC48)	1	EA	Not available online / Call for pricing and availability
3	000623-000	DOOR GASKET(3/8"DIA.) (VDSC)	1	EA	
4	A2007942	GLASSPACK BRACKET, MEDIUM	1	EA	
5	PB070076	WOOL INSULATION 1" X 21" X 3'	1	EA	
6	PD020002	10 X 1/2 PH.TR.HD.SMS.	1	EA	
7	A2002498	HINGE POCKET COVER RH	1	EA	
8	PD020014	10X3/4 PH TR HD SMS	1	EA	
9	A2002367	DOOR GLASS BRKT	1	EA	
10	PE060046	J-MOLD LH SS (DF48 DOOR)	1	EA	
10	PE060048	J-MOLD LH *BR* (DF48 DOOR)	1	EA	NO LONGER AVAILABLE
11	PD030006	CAPPED WASHER PAL NUT	1	EA	
12	PE010030	LOGO	1	EA	
12	PE010031	LOGO 6" (VGRC) *BK/WH*	1	EA	NO LONGER AVAILABLE
12	PE010068	LOGO 6" (VGRC) BK/BR	1	EA	
12	PE010076	LOGO 6" (VGRC) *BR/WH*	1	EA	NO LONGER AVAILABLE
13	PD020032	SRW-8(A)X3/8"PH.WFR HD 7/16DIA*NICL	1	EA	
14	PE030008	DOOR HANDLE - LH 48VGRC	1	EA	
14	PE030014PVD	DOOR HANDLE - LH - (48") PVD	1	EA	
15	000268-000	HANDLE ENDCAP	1	EA	
15	PE030001PVD	END CAP DOOR HANDLE *BR	1	EA	
16	B2002504	O/S DOOR PANEL LH *SS* (VDSC48)	1	EA	
16	C9002504AL	O/S DOOR PANEL-LH *AL* (VDSC48)	1	EA	NO LONGER AVAILABLE, Not available online / Call for pricing and availability
16	C9002504BK	O/S DOOR PANEL-LH *BK* (VDSC48)	1	EA	



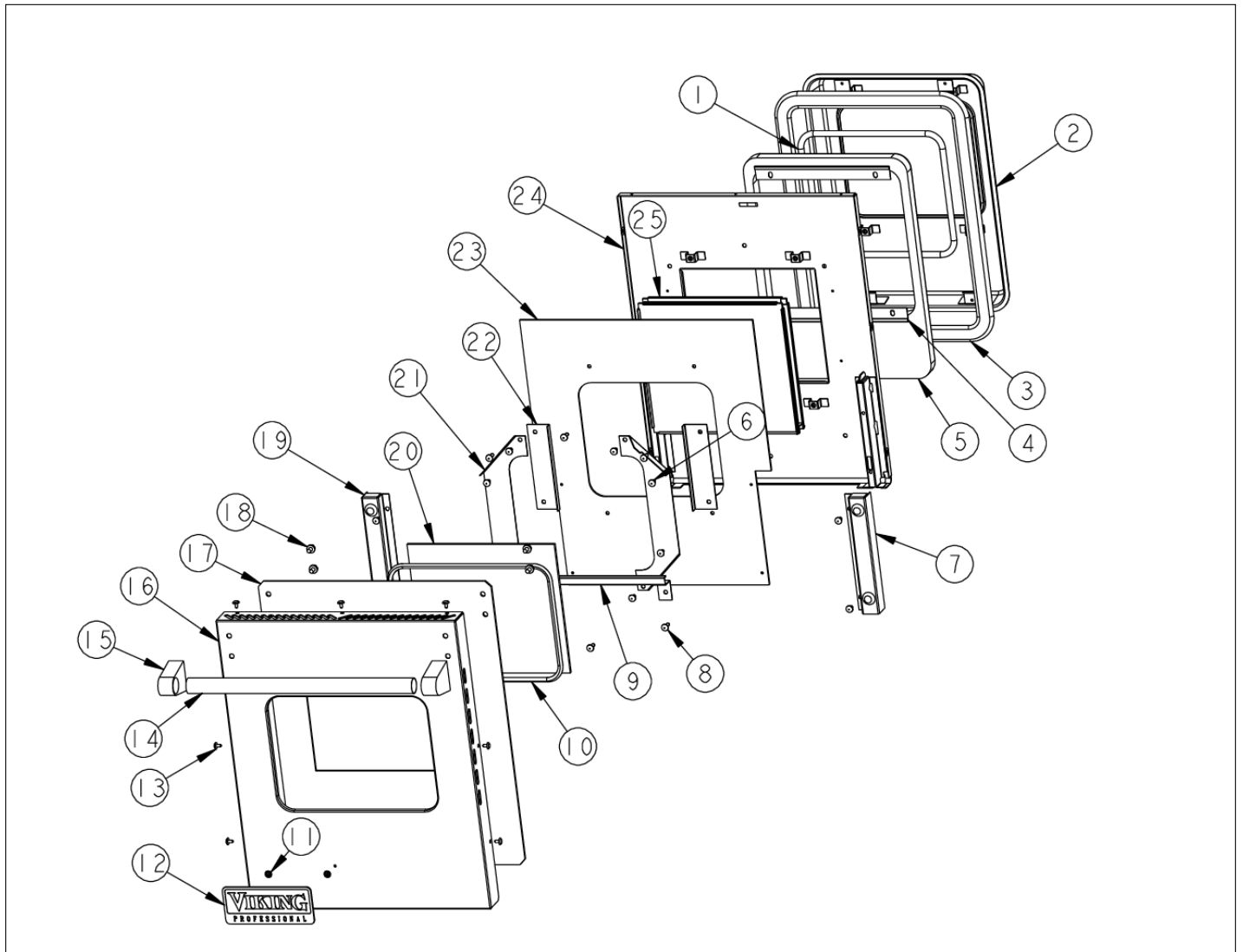


Item	Part No.	Name	Qty	Uom	NOTES
16	C9002504BT	O/S DOOR PANEL-LH *BT* (VDSC48)	1	EA	NO LONGER AVAILABLE
16	C9002504BU	O/S DOOR PANEL-LH *BU* (VDSC48)	1	EA	
16	C9002504CB	O/S DOOR PANEL-LH *CB* (VDSC48)	1	EA	NO LONGER AVAILABLE
16	C9002504EP	O/S DOOR PANEL-LH *EP* (VDSC48)	1	EA	NO LONGER AVAILABLE, Not available online / Call for pricing and availability
16	C9002504FG	O/S DOOR PANEL-LH *FG* (VDSC48)	1	EA	NO LONGER AVAILABLE, Not available online / Call for pricing and availability
16	C9002504GG	O/S DOOR PANEL-LH *GG* (VDSC48)	1	EA	
16	C9002504LE	O/S DOOR PANEL-LH *LE* (VDSC48)	1	EA	NO LONGER AVAILABLE
16	C9002504MJ	O/S DOOR PANEL-LH *MJ* (VDSC48)	1	EA	NO LONGER AVAILABLE, Not available online / Call for pricing and availability
16	C9002504SG	O/S DOOR PANEL-SG *SG* (VDSC48)	1	EA	Not available online / Call for pricing and availability
16	C9002504VB	O/S DOOR PANEL-LH*VB* (VDSC48)	1	EA	NO LONGER AVAILABLE, Not available online / Call for pricing and availability
16	C9002504WH	O/S DOOR PANEL-LH *WH* (VDSC48)	1	EA	
17	J1002506	OVEN DR HEAT SINK LH (VDSC48)	1	EA	
18	PD010019	BLT-1/4-20X3/8"HEX WASHER SERATED	1	EA	
19	A2002499	HINGE POCKET COVER LH	1	EA	
20	PE060049	GLASS LH *TE* DF48DOOR	1	EA	
21	E9102668	WINDOW BRKT (O/S DOOR GLASS)	1	EA	Not available online / Call for pricing and availability
22	A2002189	DOOR GLASS STANDOFF (VDSC)	1	EA	



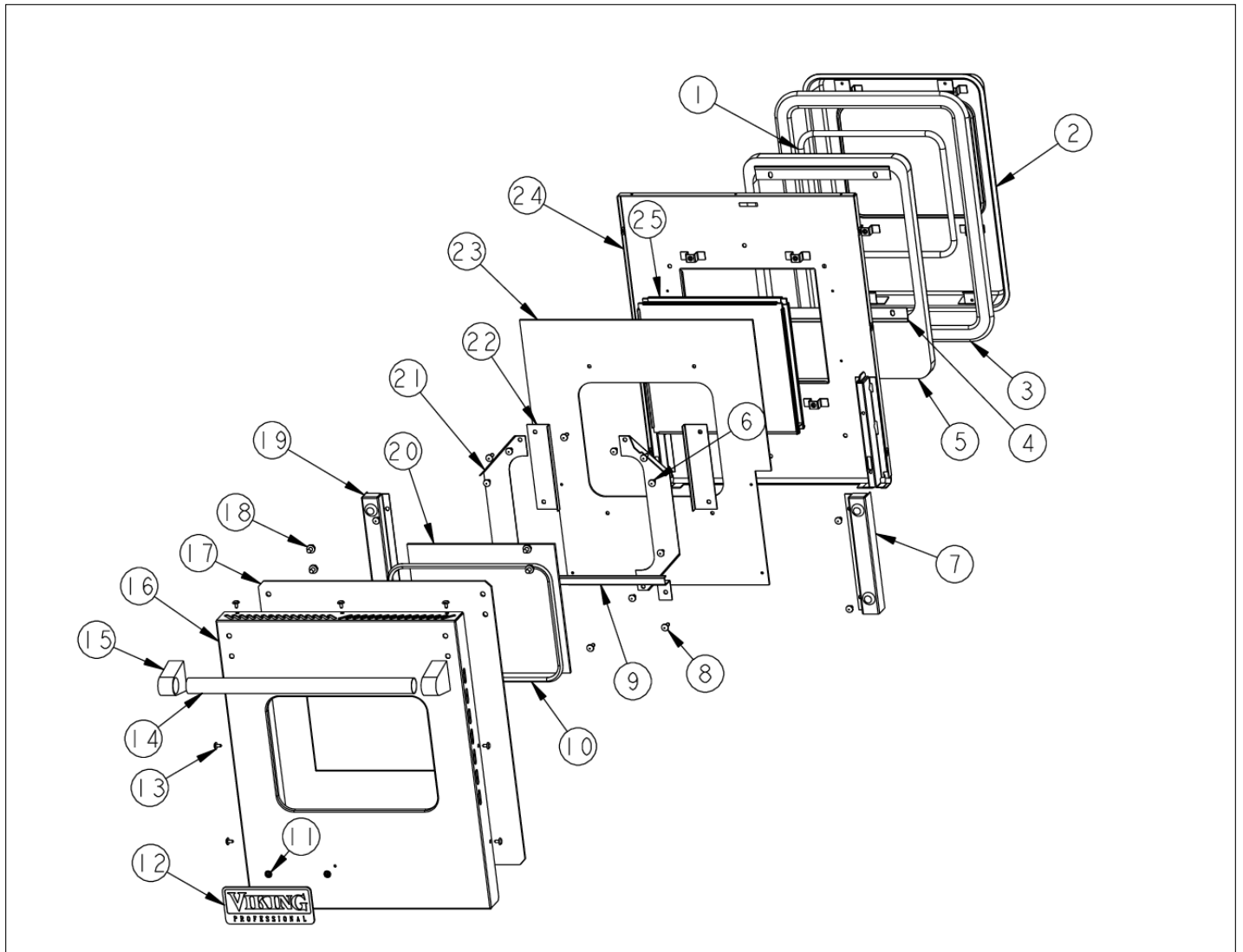


Item	Part No.	Name	Qty	Uom	NOTES
23	J1002511	OVEN DR HEAT SINK (INNER) LH (VDSC4	1	EA	
24	H9102502	OVEN DR LINER ASSY LH (VDSC48)	1	EA	
25	PE060062	WINDOW PACK, SELF CLEANING OVEN	1	EA	
NI	G3202509AL	DOOR SUB-ASSY- LH *AL* (VDSC48)	1	EA	NO LONGER AVAILABLE, Not available online / Call for pricing and availability
NI	G3202509ALBR	DOOR SUB-ASSY- LH *AL**BR*(VDSC48)	1	EA	NO LONGER AVAILABLE, Not available online / Call for pricing and availability
NI	G3202509BK	DOOR SUB-ASSY- LH *BK* (VDSC48)	1	EA	NO LONGER AVAILABLE
NI	G3202509BKBR	DOOR SUB-ASSY- LH *BK**BR* (VDSC48)	1	EA	NO LONGER AVAILABLE, Not available online / Call for pricing and availability
NI	G3202509BT	DOOR SUB-ASSY-LH *BT* (VDSC48)	1	EA	NO LONGER AVAILABLE, Not available online / Call for pricing and availability
NI	G3202509BTBR	DOOR SUB-ASSY- LH *BT**BR*(VDSC48)	1	EA	NO LONGER AVAILABLE, Not available online / Call for pricing and availability
NI	G3202509BU	DOOR SUB-ASSY- LH *BU* (VDSC48)	1	EA	NO LONGER AVAILABLE, Not available online / Call for pricing and availability
NI	G3202509BUBR	DOOR SUB-ASSY LH *BU**BR* (VDSC48)	1	EA	NO LONGER AVAILABLE, Not available online / Call for pricing and availability
NI	G3202509CB	DOOR SUB-ASSY-LH *CB* (VDSC48)	1	EA	NO LONGER AVAILABLE
NI	G3202509CBBR	COMPLETE DOOR ASSY - CBBR	1	EA	Not available online / Call for pricing and availability





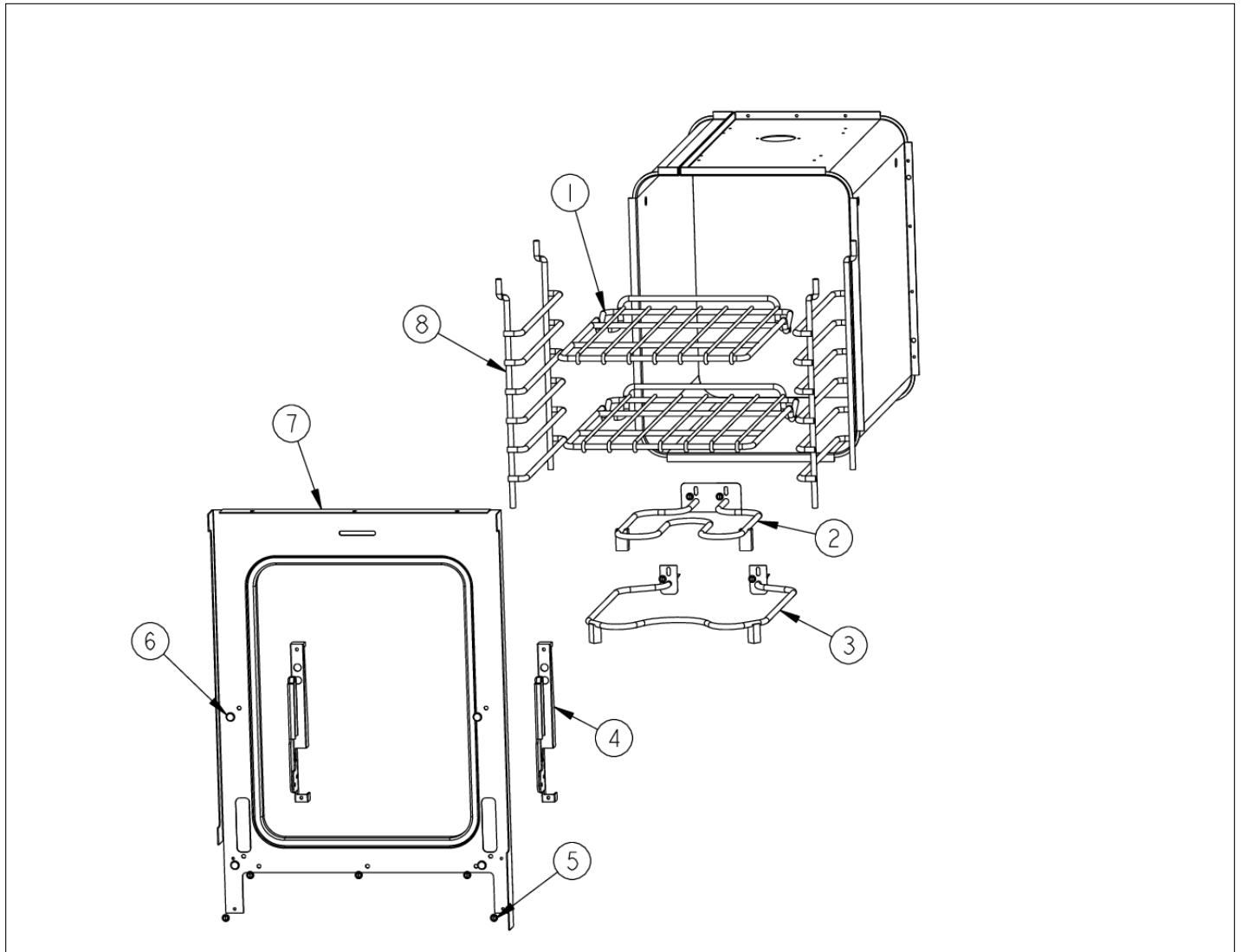
Item	Part No.	Name	Qty	Uom	NOTES
NI	G3202509EP	DOOR SUB-ASSY- LH *EP* (VDSC48)	1	EA	NO LONGER AVAILABLE, Not available online / Call for pricing and availability
NI	G3202509EPBR	COMPLETE DOOR ASSY - EPBR	1	EA	Not available online / Call for pricing and availability
NI	G3202509FG	DOOR SUB-ASSY- LH *FG* (VDSC48)	1	EA	NO LONGER AVAILABLE, Not available online / Call for pricing and availability
NI	G3202509FGBR	DOOR SUB-ASSY- LH *FG**BR* (VDSC48)	1	EA	NO LONGER AVAILABLE, Not available online / Call for pricing and availability
NI	G3202509GG	DOOR SUB-ASSY- LH *GG* (VDSC48)	1	EA	NO LONGER AVAILABLE, Not available online / Call for pricing and availability
NI	G3202509GGBR	DOOR SUB-ASSY- LH *GG*BR* (VDSC48)	1	EA	NO LONGER AVAILABLE, Not available online / Call for pricing and availability
NI	G3202509LE	DOOR SUB-ASSY- LH *LE* (VDSC48)	1	EA	NO LONGER AVAILABLE, Not available online / Call for pricing and availability
NI	G3202509LEBR	DOOR SUB-ASSY- LH *LE**BR* (VDSC48)	1	EA	NO LONGER AVAILABLE, Not available online / Call for pricing and availability
NI	G3202509MJ	DOOR SUB-ASSY- LH *MJ* (VDSC48)	1	EA	NO LONGER AVAILABLE, Not available online / Call for pricing and availability
NI	G3202509MJBR	DOOR SUB-ASSY- LH *MJ**BR* (VDSC48)	1	EA	NO LONGER AVAILABLE, Not available online / Call for pricing and availability
NI	G3202509SG	DOOR SUB-ASSY- LH *SG* (VDSC48)	1	EA	NO LONGER AVAILABLE





Item	Part No.	Name	Qty	Uom	NOTES
NI	G3202509SGBR	DOOR SUB-ASSY- LH *SG**BR*(VDSC48)	1	EA	NO LONGER AVAILABLE, Not available online / Call for pricing and availability
NI	G3202509SS	DOOR SUB-ASSY- LH *SS* (VDSC48)	1	EA	
NI	G3202509SSBR	DOOR SUB-ASSY- LH *SS**BR* (VDSC48)	1	EA	NO LONGER AVAILABLE, Not available online / Call for pricing and availability
NI	G3202509VB	DOOR SUB-ASSY- LH *VB* (VDSC48)	1	EA	NO LONGER AVAILABLE, Not available online / Call for pricing and availability
NI	G3202509VBBR	DOOR SUB-ASSY- LH *VB**BR* (VDSC48)	1	EA	NO LONGER AVAILABLE, Not available online / Call for pricing and availability
NI	G3202509WH	DOOR SUB-ASSY- LH *WH* (VDSC48)	1	EA	NO LONGER AVAILABLE, Not available online / Call for pricing and availability
NI	G3202509WHBR	DOOR SUB-ASSY- LH *WH**BR* (VDSC48)	1	EA	NO LONGER AVAILABLE, Not available online / Call for pricing and availability

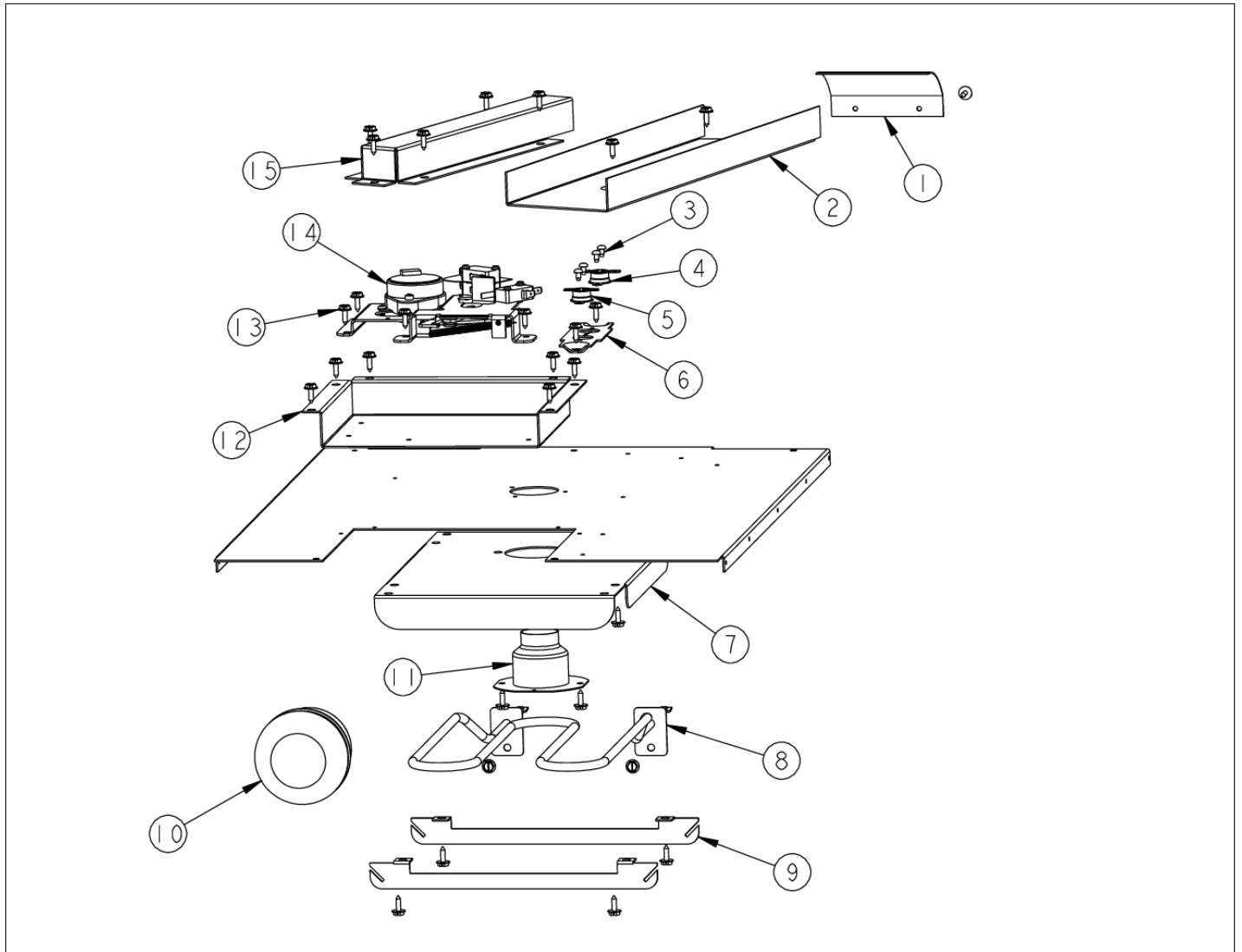
LH OVEN MAIN CAVITY





Item	Part No.	Name	Qty	Uom	NOTES
1	PB060046	OVEN RK VDSC48-LH REPL PB060023	1	EA	
2	PJ010007	PROOF ELEMENT LH VDSC-48	1	EA	
3	PJ010005	BAKE ELEMENT LH VDSC-48 240V	1	EA	
4	PC020003	HINGE ASSY (BLUE)	1	EA	
5	PD020003	#10 X 1/2 T(A) HEX WASHER HEAD	1	EA	
6	PD020033	SRW #10-24 X 1/2" T (23) PH WFR HD (NKL)	1	EA	
7	G9102518	FRONT FRAME ASSY LH (VDSC48)	1	EA	NO LONGER AVAILABLE, Not available online / Call for pricing and availability
8	PB060030	RACK SUPT REPL PB060010	1	EA	

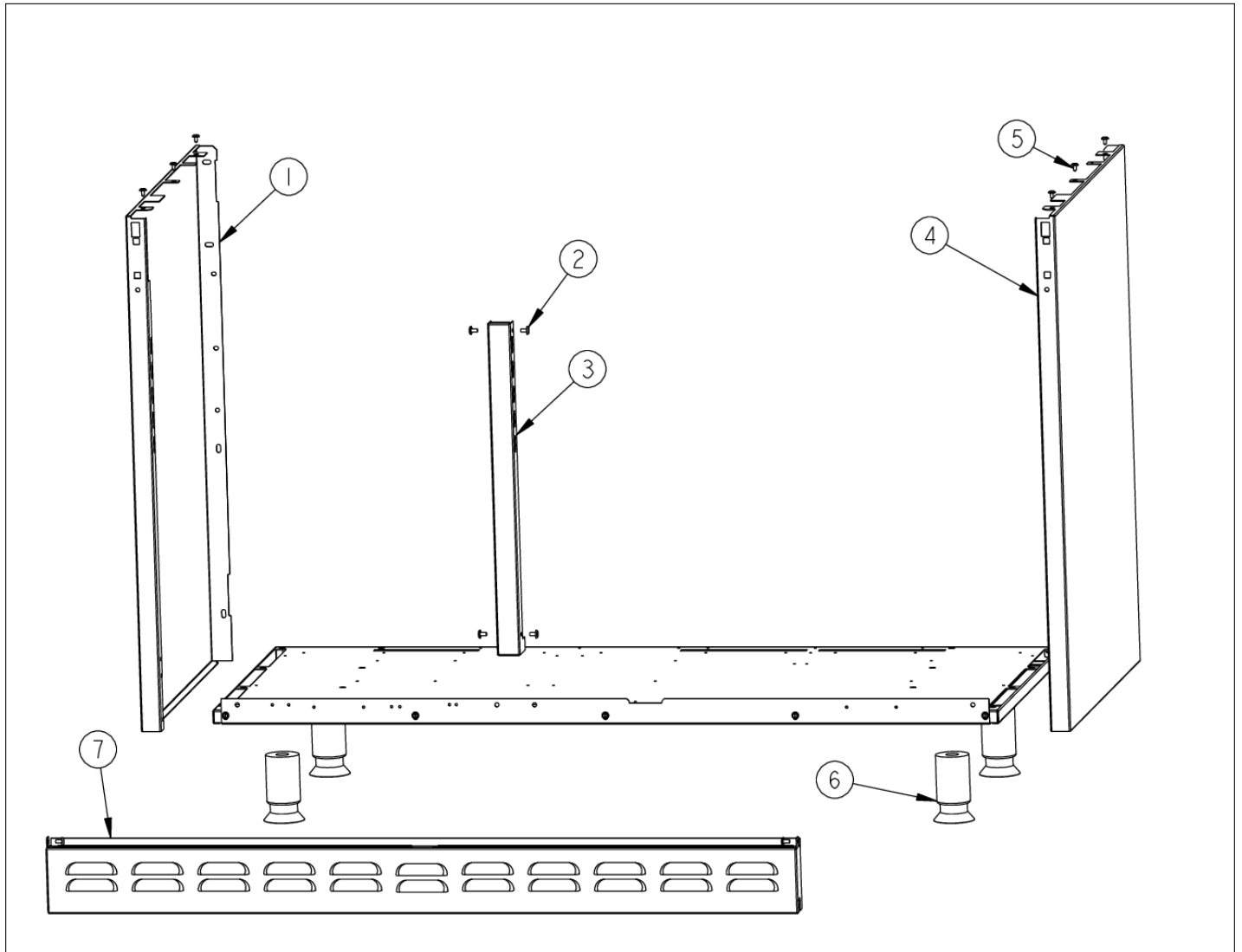
LH OVEN UPPER CAVITY





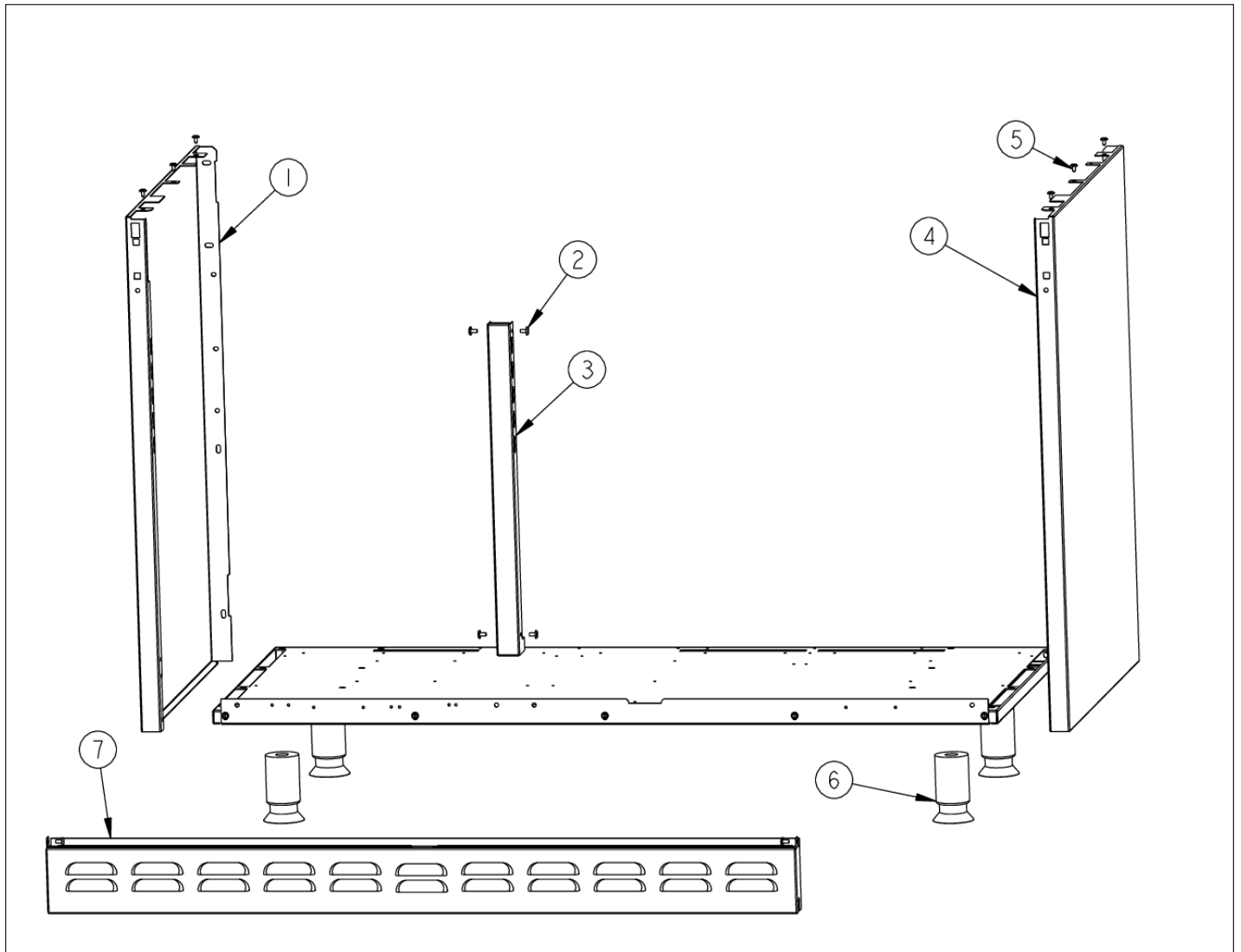
Item	Part No.	Name	Qty	Uom	NOTES
1	A2002478	AIR SCOOP (VDSC)	1	EA	NO LONGER AVAILABLE, Not available online / Call for pricing and availability
2	A2002450	LATCH COOLING DUCT (VDSC)	1	EA	NO LONGER AVAILABLE, Not available online / Call for pricing and availability
3	PD020006	' #6-32 X 1/4" PH.PAN HD. T(F)	1	EA	
4	PJ030005	SWITCH (HIGH-LIMIT) VDSC	1	EA	
5	PJ030006	SWITCH (COOLING FAN)	1	EA	
6	A10014918	THERMODISC BRACKET	1	EA	Not available online / Call for pricing and availability
7	B2002514	BROILER TOP (VDSC48-LH)	1	EA	NO LONGER AVAILABLE, Not available online / Call for pricing and availability
8	PJ010001	BROIL ELEMENT 240V	1	EA	
9	B2002515	BROIL ELEMENT BRKT LH (VDSC48)	1	EA	NO LONGER AVAILABLE, Not available online / Call for pricing and availability
10	031449-000	LAMP, ASM	1	EA	
11	PM010014	SMOKE ELIMINATOR (VDSC)	1	EA	
12	A2002168	DOOR LATCH BRKT (VDSC)	1	EA	
13	PD020003	#10 X 1/2 T(A) HEX WASHER HEAD	1	EA	
14	PE050053	DR LATCH REPL PE050020	1	EA	
15	A2002536	SMOKE ELIMINATOR VENT LH (VDSC48)	1	EA	NO LONGER AVAILABLE, Not available online / Call for pricing and availability

LOWER UNIT AND SIDE PANELS



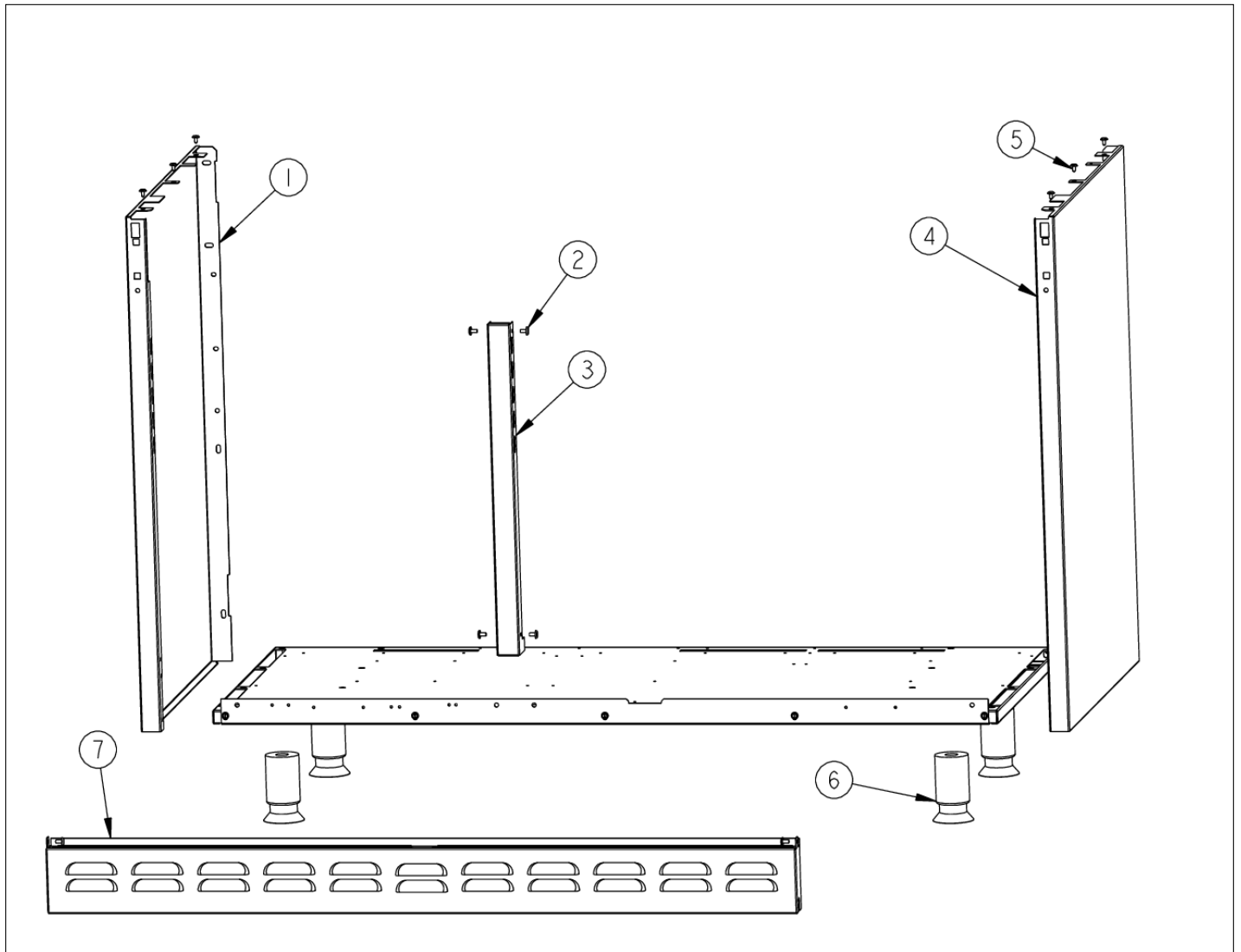


Item	Part No.	Name	Qty	Uom	NOTES
1	B2002598	O/S BODY PANEL LH (SS)	1	EA	
1	C9002598AL	BODY PNL LH 30'REPL C9001922AL	1	EA	NO LONGER AVAILABLE, Not available online / Call for pricing and availability
1	C9002598BK	BODY PNL LH 30'REPL C9001922BK	1	EA	
1	C9002598BT	O/S BODY PANEL-LH *BT* (VDSC)	1	EA	NO LONGER AVAILABLE
1	C9002598BU	BODY PNL LH 30'REPL C9001922BU	1	EA	
1	C9002598CB	O/S BODY PANEL-LH *CB* (VDSC)	1	EA	Not available online / Call for pricing and availability
1	C9002598EP	O/S BODY PANEL-LH *EP* (VDSC)	1	EA	NO LONGER AVAILABLE, Not available online / Call for pricing and availability
1	C9002598FG	BODY PNL LH 30'REPL C9001922FG	1	EA	NO LONGER AVAILABLE, Not available online / Call for pricing and availability
1	C9002598GG	BODY PNL LH 30'REPL C9001922GG	1	EA	Not available online / Call for pricing and availability
1	C9002598LE	O/S BODY PANEL-LH *LE* (VDSC)	1	EA	NO LONGER AVAILABLE, Not available online / Call for pricing and availability
1	C9002598MJ	O/S BODY PANEL-LH *MJ* (VDSC)	1	EA	NO LONGER AVAILABLE
1	C9002598SG	O/S BODY PANEL-LH *SG* (VDSC)	1	EA	NO LONGER AVAILABLE, Not available online / Call for pricing and availability
1	C9002598VB	BODY PNL LH 30'REPL C9001922VB	1	EA	NO LONGER AVAILABLE, Not available online / Call for pricing and availability
1	C9002598WH	BODY PNL LH 30'REPL C9001922WH	1	EA	
2	PD020033	SRW #10-24 X 1/2" T (23) PH WFR HD (NKL)	1	EA	



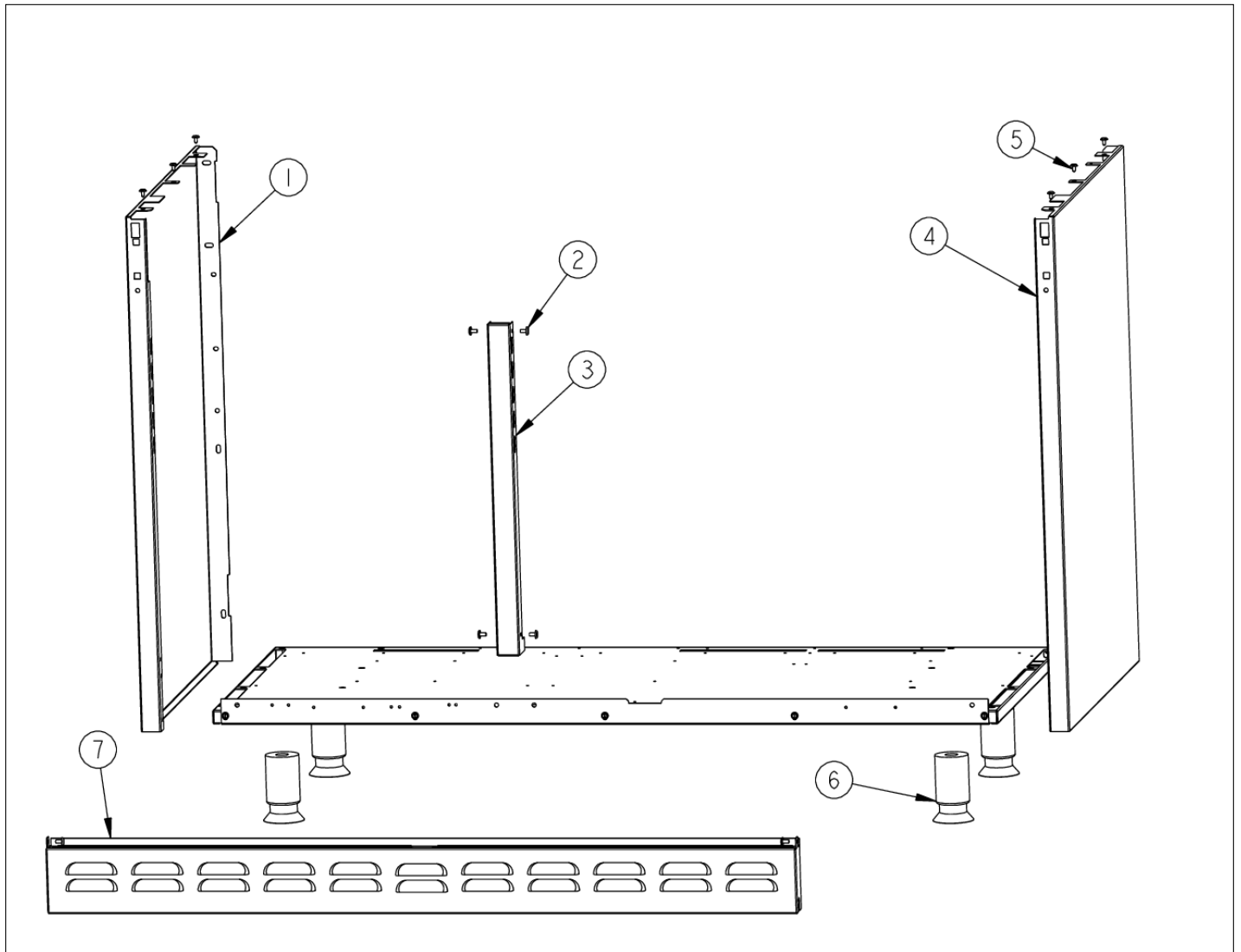


Item	Part No.	Name	Qty	Uom	NOTES
3	B2002535	CENTER TRIM (VDSC485)	1	EA	
3	C9002535AL	CENTER TRIM-*AL* (VDSC485)	1	EA	NO LONGER AVAILABLE, Not available online / Call for pricing and availability
3	C9002535BK	CENTER TRIM-*BK* (VDSC485)	1	EA	
3	C9002535BT	CENTER TRIM-*BT* (VDSC485)	1	EA	NO LONGER AVAILABLE, Not available online / Call for pricing and availability
3	C9002535BU	CENTER TRIM-*BU* (VDSC485)	1	EA	NO LONGER AVAILABLE, Not available online / Call for pricing and availability
3	C9002535CB	CENTER TRIM-*CB* (VDSC485)	1	EA	NO LONGER AVAILABLE, Not available online / Call for pricing and availability
3	C9002535EP	CENTER TRIM-*EP* (VDSC485)	1	EA	NO LONGER AVAILABLE, Not available online / Call for pricing and availability
3	C9002535FG	CENTER TRIM-*FG* (VDSC485)	1	EA	Not available online / Call for pricing and availability
3	C9002535GG	CENTER TRIM-*GG* (VDSC485)	1	EA	NO LONGER AVAILABLE
3	C9002535LE	CENTER TRIM-*LE* (VDSC485)	1	EA	NO LONGER AVAILABLE, Not available online / Call for pricing and availability
3	C9002535MJ	CENTER TRIM-*MJ* (VDSC485)	1	EA	NO LONGER AVAILABLE, Not available online / Call for pricing and availability
3	C9002535SG	CENTER TRIM-*SG* (VDSC485)	1	EA	NO LONGER AVAILABLE
3	C9002535VB	CENTER TRIM-*VB* (VDSC485)	1	EA	NO LONGER AVAILABLE, Not available online / Call for pricing and availability
3	C9002535WH	CENTER TRIM-*WH* (VDSC485)	1	EA	NO LONGER AVAILABLE



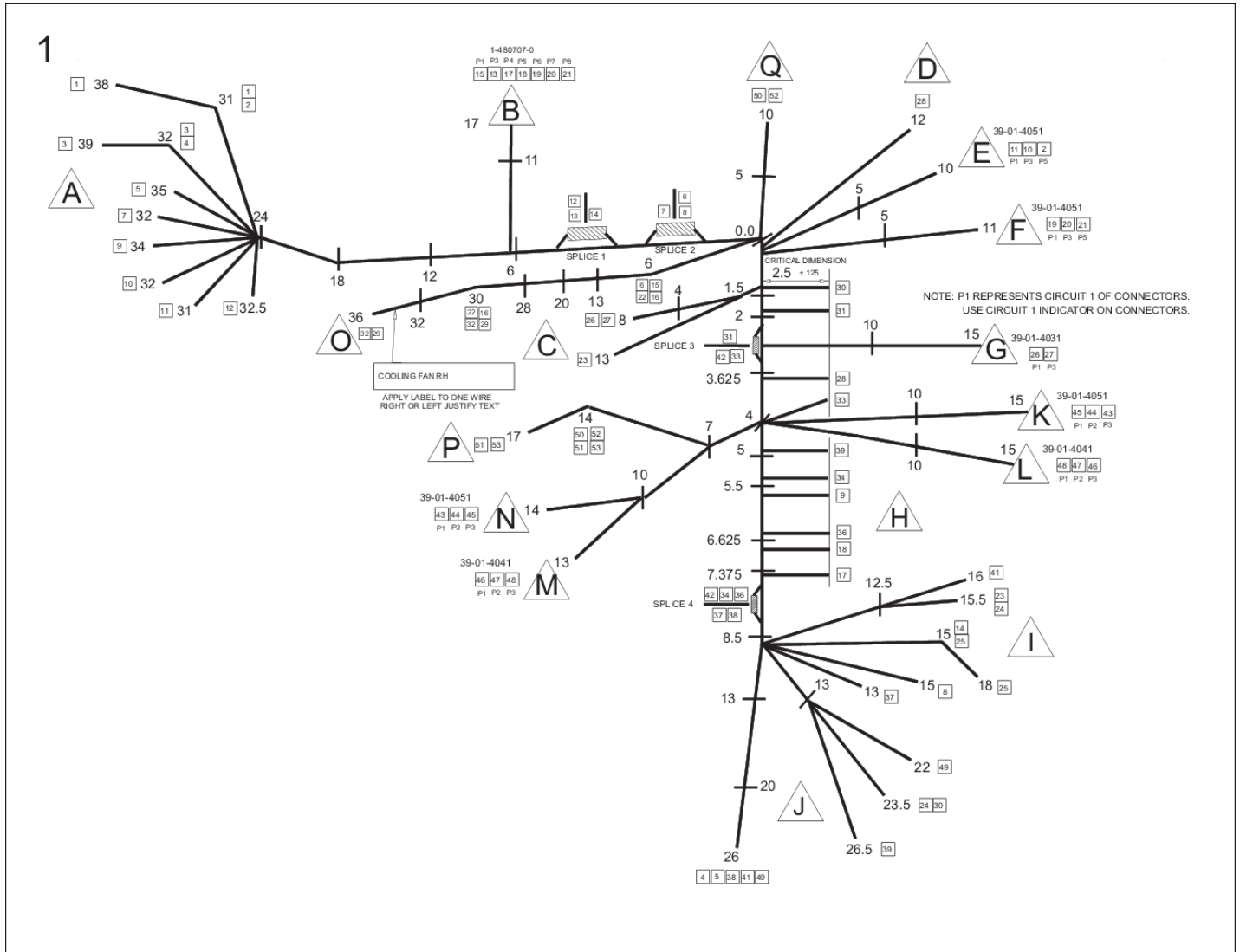


Item	Part No.	Name	Qty	Uom	NOTES
4	B2002597	O/S BODY PANEL - RH (SS)	1	EA	
4	C9002597AL	O/S BODY PANEL-RH *AL* (VDSC)	1	EA	NO LONGER AVAILABLE, Not available online / Call for pricing and availability
4	C9002597BK	BODY PNL RH BK REPL C9001921BK	1	EA	
4	C9002597BT	O/S BODY PANEL-RH *BT* (VDSC)	1	EA	NO LONGER AVAILABLE
4	C9002597BU	BODY PNL RH BU REPL C9001921BU	1	EA	Not available online / Call for pricing and availability
4	C9002597CB	O/S BODY PANEL-RH *CB* (VDSC)	1	EA	NO LONGER AVAILABLE
4	C9002597EP	O/S BODY PANEL-RH *EP* (VDSC)	1	EA	NO LONGER AVAILABLE
4	C9002597FG	BODY PNL RH FG REPL C9001921FG	1	EA	NO LONGER AVAILABLE, Not available online / Call for pricing and availability
4	C9002597GG	BODY PNL RH GG REPL C9001921GG	1	EA	Not available online / Call for pricing and availability
4	C9002597LE	O/S BODY PANEL-RH *LE* (VDSC)	1	EA	
4	C9002597MJ	O/S BODY PANEL-RH *MJ* (VDSC)	1	EA	NO LONGER AVAILABLE
4	C9002597SG	O/S BODY PANEL-RH *SG* (VDSC)	1	EA	NO LONGER AVAILABLE, Not available online / Call for pricing and availability
4	C9002597VB	BODY PNL RH VB REPL C9001921VB	1	EA	
4	C9002597WH	BODY PNL RH WH REPL C9001921WH	1	EA	
5	PD020032	SRW-8(A)X3/8"PH.WFR HD 7/16DIA*NICL	1	EA	
6	PC030017	4" LEG ASSY	1	EA	
7	B2001241	LWR ACC. PNL - RPLCS B2001973	1	EA	





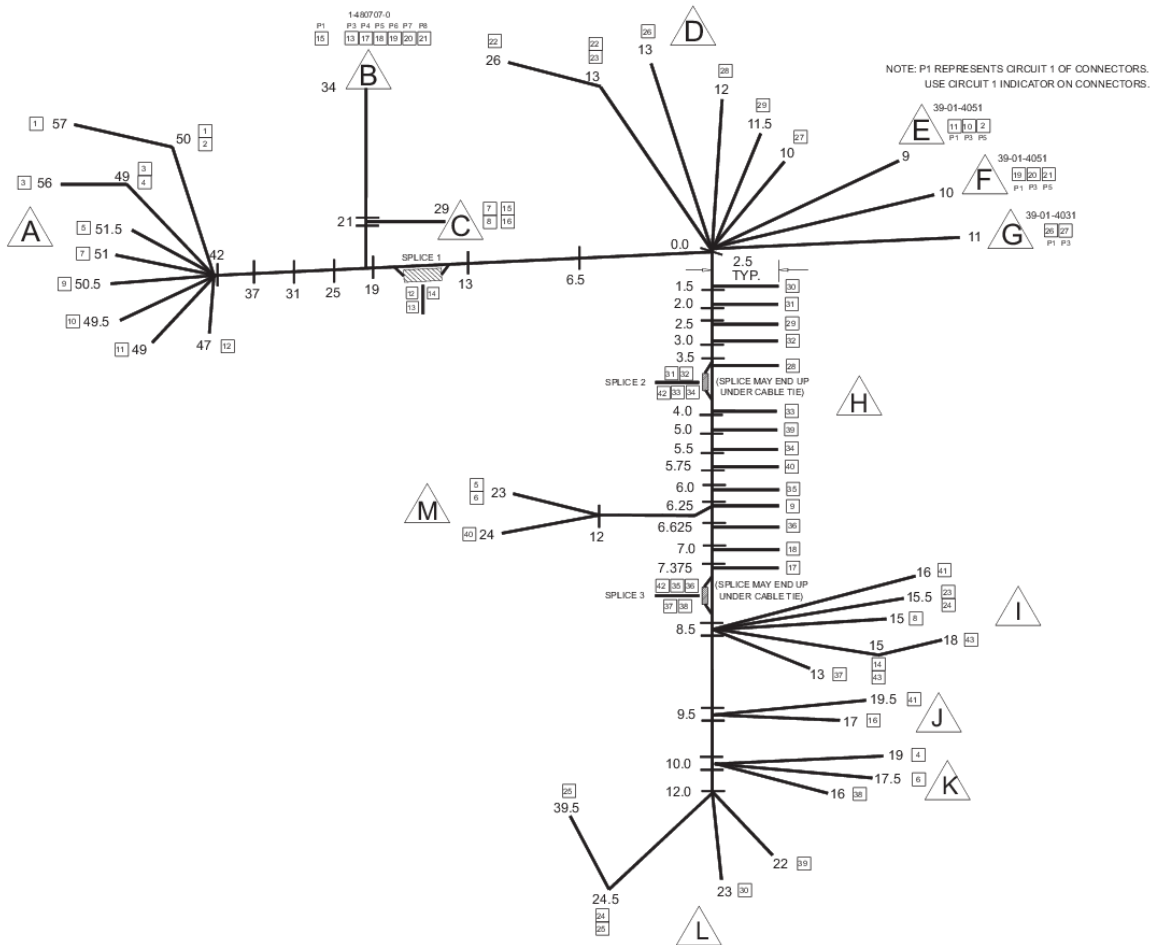
Item	Part No.	Name	Qty	Uom	NOTES
7	C9001241AL	LWR ACC PNL - RPLCS C9001973AL	1	EA	NO LONGER AVAILABLE, Not available online / Call for pricing and availability
7	C9001241BK	LWR ACC PNL - RPLCS C9001973BK	1	EA	
7	C9001241BT	LWR ACC PNL - RPLCS C9001973BT	1	EA	NO LONGER AVAILABLE
7	C9001241BU	LWR ACC PNL - RPLCS C9001973BU	1	EA	
7	C9001241CB	LWR ACC PNL - RPLCS C9001973CB	1	EA	NO LONGER AVAILABLE
7	C9001241EP	LWR ACC PNL - RPCLS C9001973EP	1	EA	NO LONGER AVAILABLE, Not available online / Call for pricing and availability
7	C9001241FG	LWR ACC PNL - RPLCS C9001973FG	1	EA	NO LONGER AVAILABLE, Not available online / Call for pricing and availability
7	C9001241GG	LWR ACC PNL - RPLCS C9001973GG	1	EA	Not available online / Call for pricing and availability
7	C9001241LE	LWR ACC PNL - RPLCS C9001973LE	1	EA	NO LONGER AVAILABLE
7	C9001241MJ	LWR ACC PNL - RPLCS C9001973MJ	1	EA	NO LONGER AVAILABLE
7	C9001241SG	LWR ACC PNL - RPLCS C9001973SG	1	EA	Not available online / Call for pricing and availability
7	C9001241VB	LWR ACC PNL - RPLCS C9001973VB	1	EA	NO LONGER AVAILABLE, Not available online / Call for pricing and availability
7	C9001241WH	LWR ACC PNL - RPLCS C9001973WH	1	EA	





Item	Part No.	Name	Qty	Uom	NOTES
1	PE070775	LH OVEN MAIN HARNESS	1	EA	

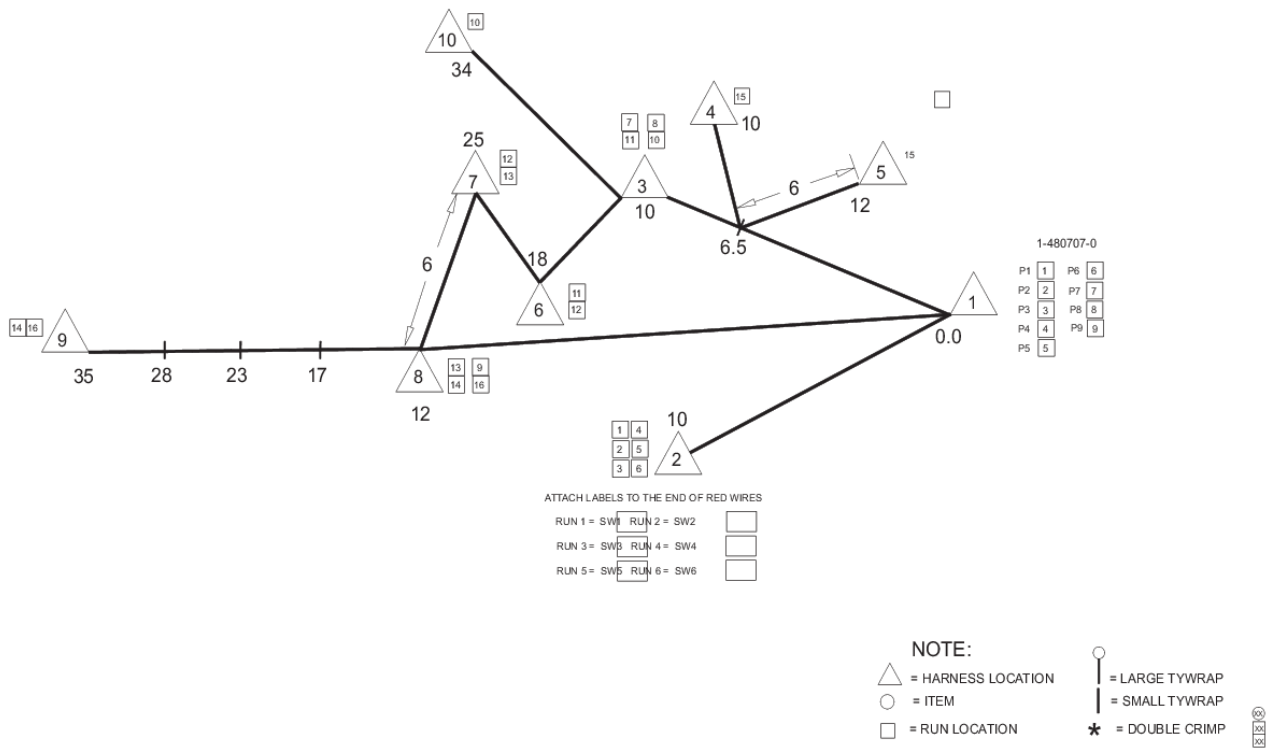
1





Item	Part No.	Name	Qty	Uom	NOTES
1	PE070781	RH MAIN OVEN HARNESS	1	EA	

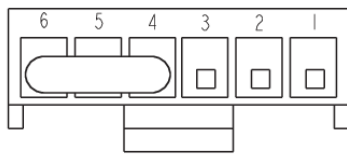
1



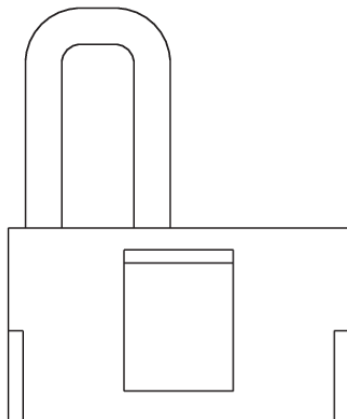


Item	Part No.	Name	Qty	Uom	NOTES
1	PE070783	6 POSITION SPARK MOD HARNESS	1	EA	

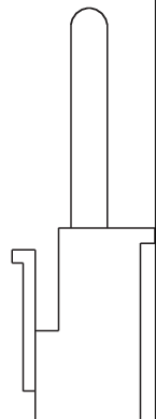
1



Red 20 GA XLPE
Jump Position 4 and 6



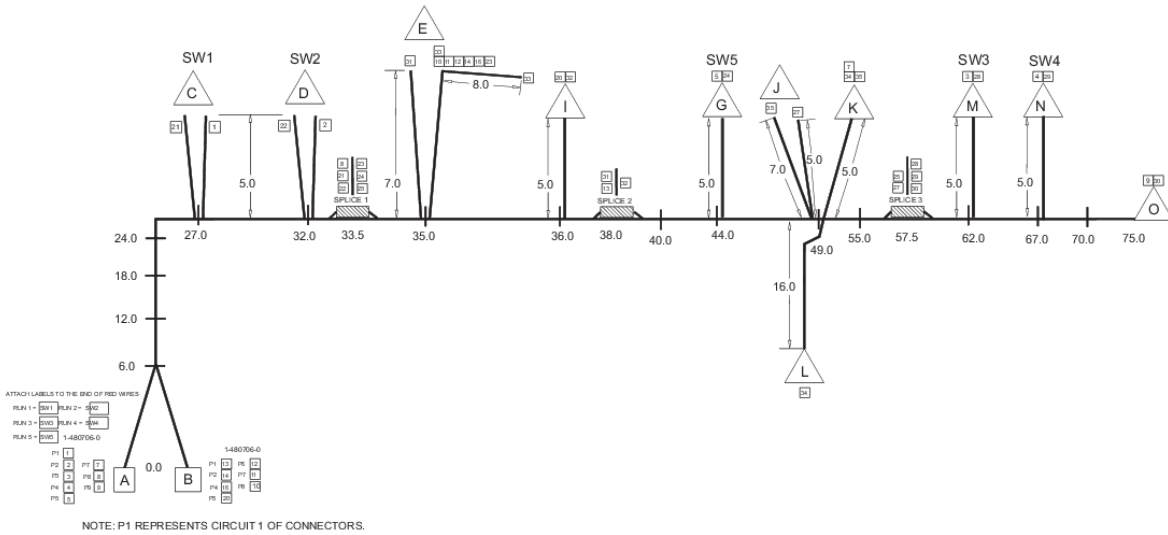
JST Connector
Part No. VHR-6N





Item	Part No.	Name	Qty	Uom	NOTES
1	PE070787	VDSC LEFT HAND OVEN HEADER	1	EA	

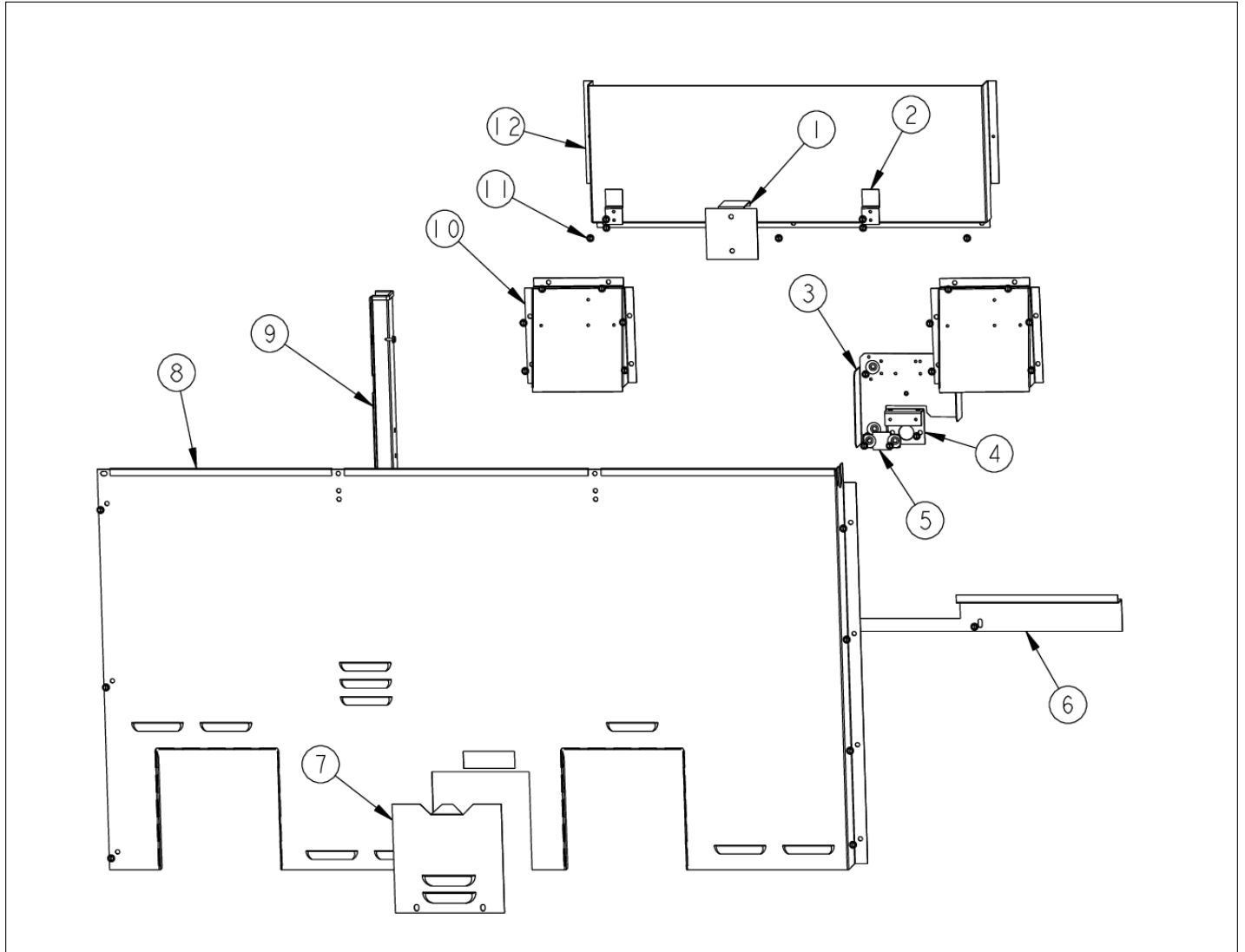
1





Item	Part No.	Name	Qty	Uom	NOTES
1	PE070804	IGNITION SWITCH HARNESS	1	EA	

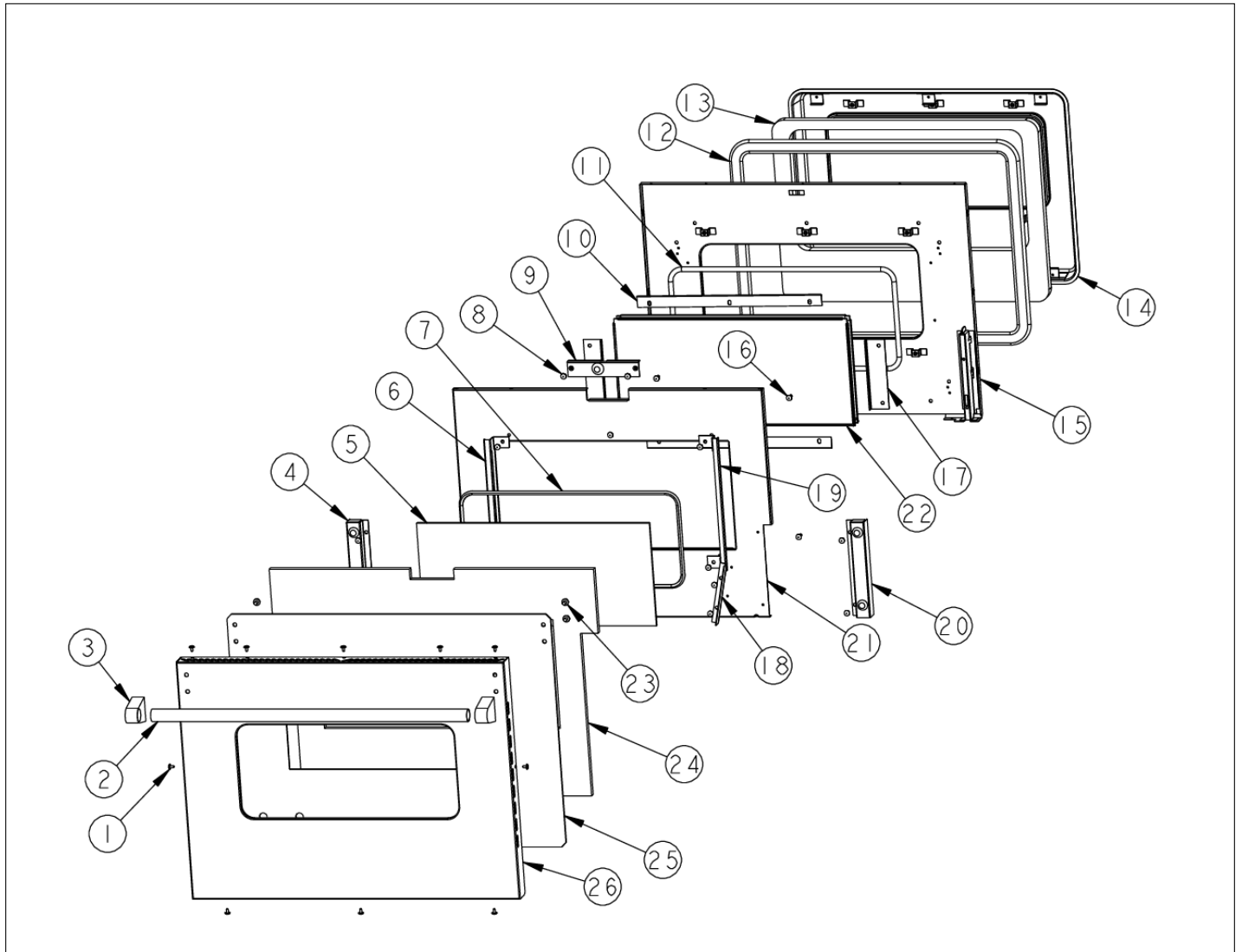
REAR SHEET METAL



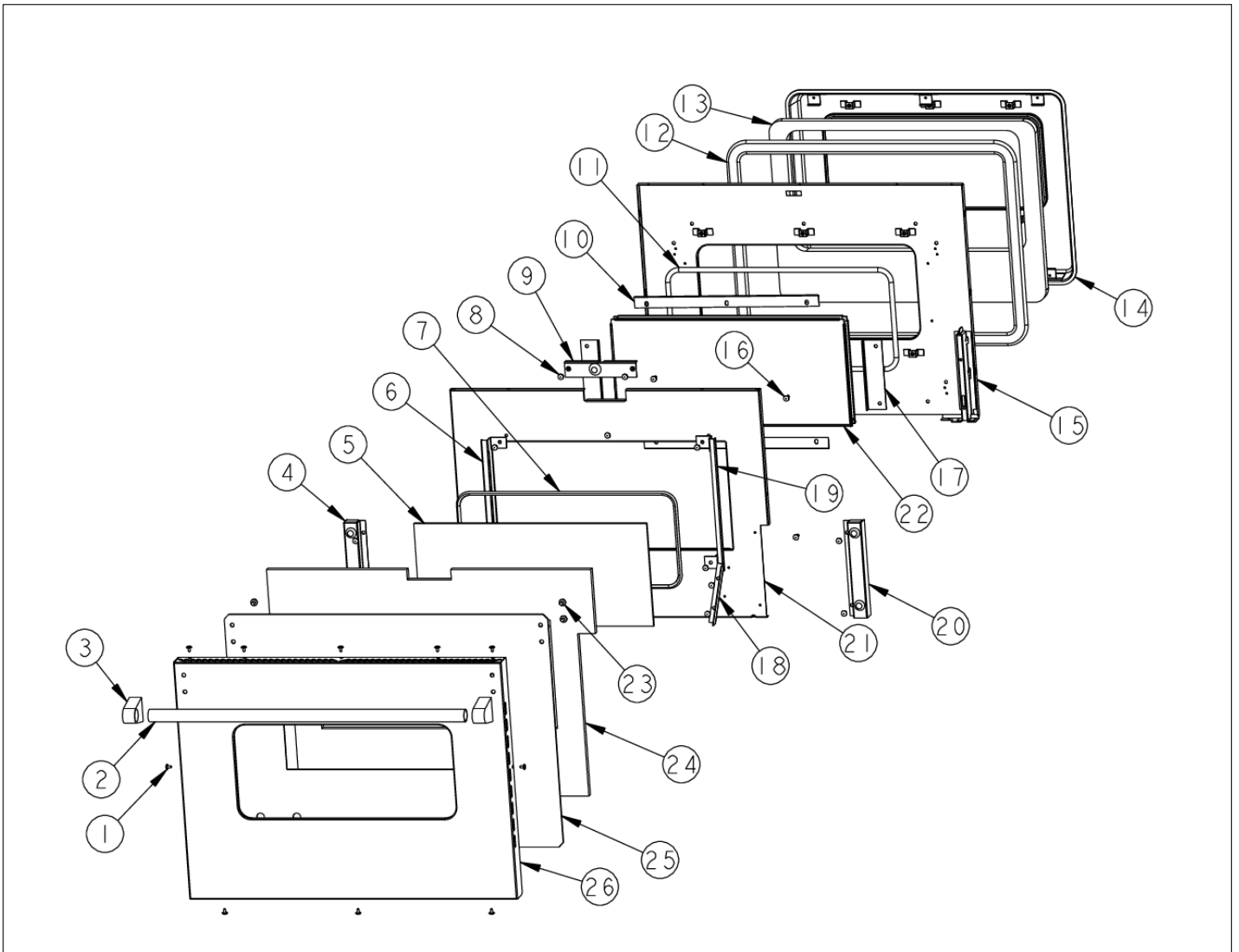


Item	Part No.	Name	Qty	Uom	NOTES
1	A2002654	ANTI-TIP DEVICE (VDSC)	1	EA	
2	A2005735	BACKGUARD SUPPORT BRACKET	1	EA	
3	A2002193	ELECTRICAL MOUNTING BRKT (VDSC)	1	EA	NO LONGER AVAILABLE
4	A2002195	POWER CORD MOUNTING BRKT (VDSC)	1	EA	
5	A1002457	POWER CORD MOUNTING STRAP (VDSC)	1	EA	
6	A2004296	LOWER BACK COVER (VDSC485)	1	EA	NO LONGER AVAILABLE
7	A2002454	BACK, COVER ACCESS DOOR	1	EA	
8	A20014920	BACK COVER	1	EA	NO LONGER AVAILABLE
9	A2000210	WIRE CHANNEL	1	EA	NO LONGER AVAILABLE, Not available online / Call for pricing and availability
10	A2002180	COOLING FAN HOUSING (VDSC)	1	EA	NO LONGER AVAILABLE
11	PD020003	#10 X 1/2 T(A) HEX WASHER HEAD	1	EA	
12	A2002537	OVEN FLUE LH (VDSC48)	1	EA	NO LONGER AVAILABLE

RH DOOR ASSEMBLY

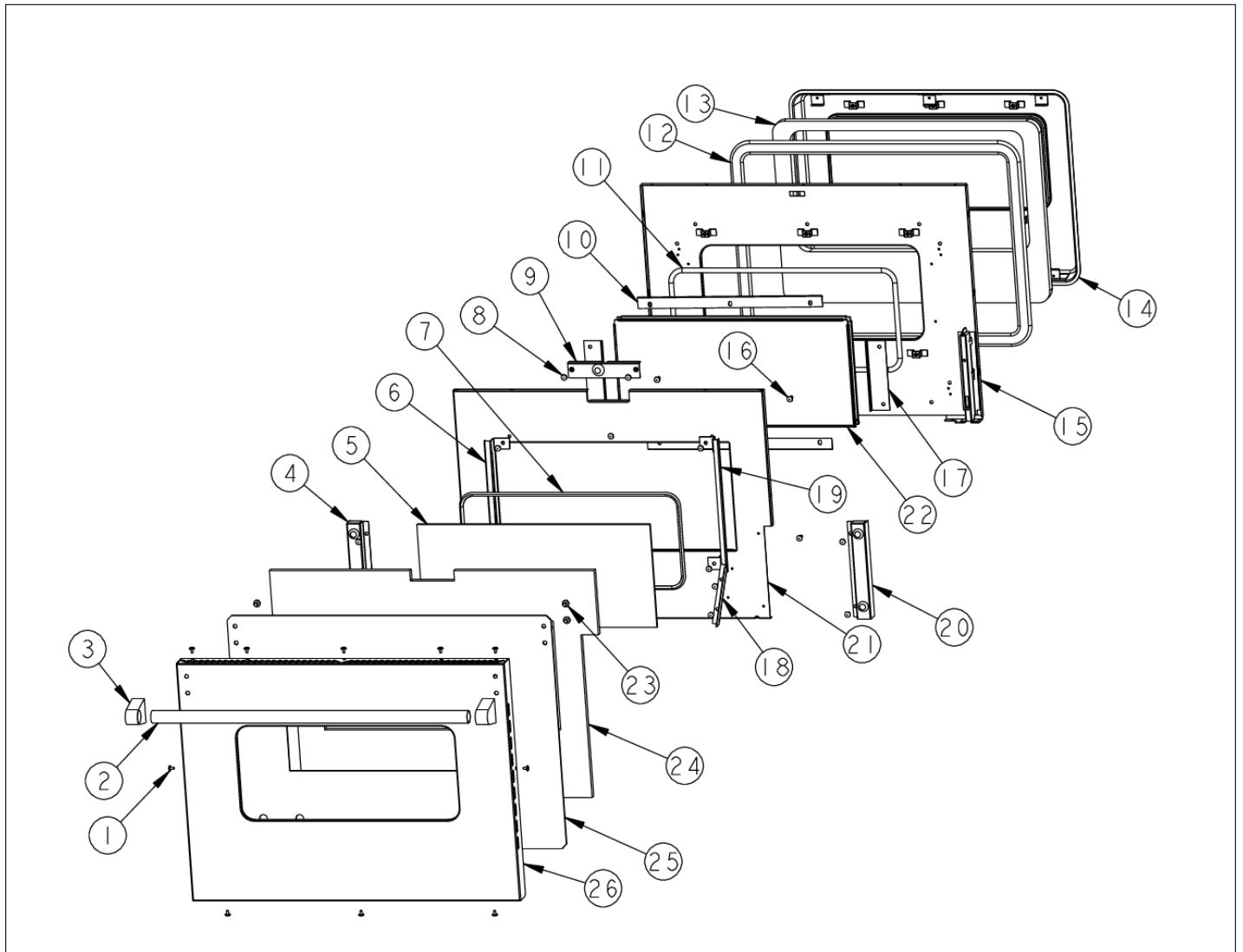


Item	Part No.	Name	Qty	Uom	NOTES
1	PD020032	SRW-8(A)X3/8"PH.WFR HD 7/16DIA*NICL	1	EA	
2	PE030005	DOOR HANDLE - VGSC30/RC60/RC48RH	1	EA	
2	PE030012PVD	DOOR HANDLE - RH - (30"/48") PVD	1	EA	
3	000268-000	HANDLE ENDCAP	1	EA	
3	PE030001PVD	END CAP DOOR HANDLE *BR	1	EA	
4	A2002499	HINGE POCKET COVER LH	1	EA	
5	PE060030	OUTER DOOR GLASS	1	EA	
6	A2002367	DOOR GLASS BRKT	1	EA	
7	PE060031	J-MOLD (LARGE WINDOW)	1	EA	
7	PE060045	J-MOLD (LARGE WINDOW) *BR*	1	EA	
8	PD020002	10 X 1/2 PH.TR.HD.SMS.	1	EA	
9	A20012912	DOOR LATCH COVER	1	EA	
10	A2007943	GLASSPACK BRACKET, LARGE	1	EA	
11	000594-000	BLACK FIBERGLASS ROPE 3/8	1	EA	
12	000623-000	DOOR GASKET(3/8"DIA.) (VDSC)	1	EA	
13	PB070076	WOOL INSULATION 1" X 21" X 3'	1	EA	
14	G9102745	DR PG ASSY VDSC30/48" RE H9102175 (Before 12/20/2012)	1	EA	
15	G9102747	DR LINER ASY(VDSC30/48)REP H9102173	1	EA	
16	PD020014	10X3/4 PH TR HD SMS	1	EA	
17	A2002189	DOOR GLASS STANDOFF (VDSC)	1	EA	
18	A2002497	DOOR GUIDE ANGLE VDSC	1	EA	
19	A2002367	DOOR GLASS BRKT	1	EA	
20	A2002498	HINGE POCKET COVER RH	1	EA	
21	A2002169	DOOR INSULATION RETAINER (VDSC30)	1	EA	
22	PE060064	WINDOW PACK, SELF CLEANING OVEN 30"	1	EA	
23	PD010019	BLT-1/4-20X3/8"HEX WASHER SERATED	1	EA	
24	PB070145	SUPERWOOL 5" X 24" X 3'	1	EA	

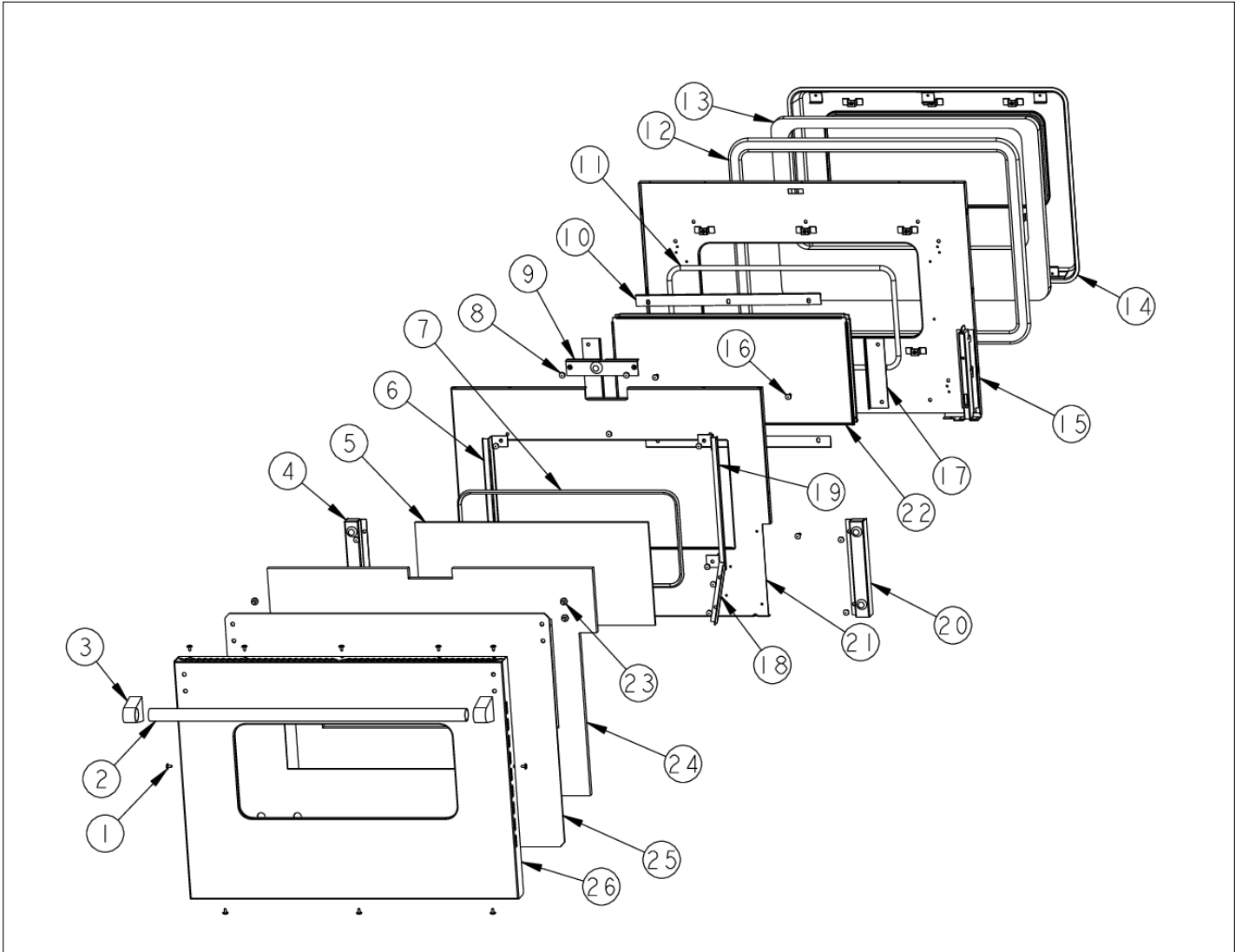




Item	Part No.	Name	Qty	Uom	NOTES
25	J1002594	OVEN DR HEAT SINK (VDSC30)	1	EA	
26	B2002528	O/S DOOR PANEL RH *SS* (VDSC48)	1	EA	
26	C9002528AL	O/S DOOR PANEL-RH *AL* (VDSC48)	1	EA	NO LONGER AVAILABLE
26	C9002528BK	O/S DOOR PANEL-RH *BK* (VDSC48)	1	EA	
26	C9002528BT	O/S DOOR PANEL-RH *BT* (VDSC48)	1	EA	NO LONGER AVAILABLE
26	C9002528BU	O/S DOOR PANEL-RH *BU* (VDSC48)	1	EA	
26	C9002528CB	O/S DOOR PANEL-RH *CB* (VDSC48)	1	EA	Not available online / Call for pricing and availability
26	C9002528EP	O/S DOOR PANEL-RH *EP* (VDSC48)	1	EA	NO LONGER AVAILABLE, Not available online / Call for pricing and availability
26	C9002528FG	O/S DOOR PANEL-RH *FG* (VDSC48)	1	EA	NO LONGER AVAILABLE, Not available online / Call for pricing and availability
26	C9002528GG	O/S DOOR PANEL-RH *GG* (VDSC48)	1	EA	Not available online / Call for pricing and availability
26	C9002528LE	O/S DOOR PANEL-RH *LE* (VDSC48)	1	EA	NO LONGER AVAILABLE
26	C9002528MJ	O/S DOOR PANEL-RH *MJ* (VDSC48)	1	EA	NO LONGER AVAILABLE, Not available online / Call for pricing and availability
26	C9002528SG	O/S DOOR PANEL-RH *SG* (VDSC48)	1	EA	Not available online / Call for pricing and availability
26	C9002528VB	O/S DOOR PANEL-RH *VB* (VDSC48)	1	EA	NO LONGER AVAILABLE, Not available online / Call for pricing and availability
26	C9002528WH	O/S DOOR PANEL-RH *WH* (VDSC48)	1	EA	NO LONGER AVAILABLE

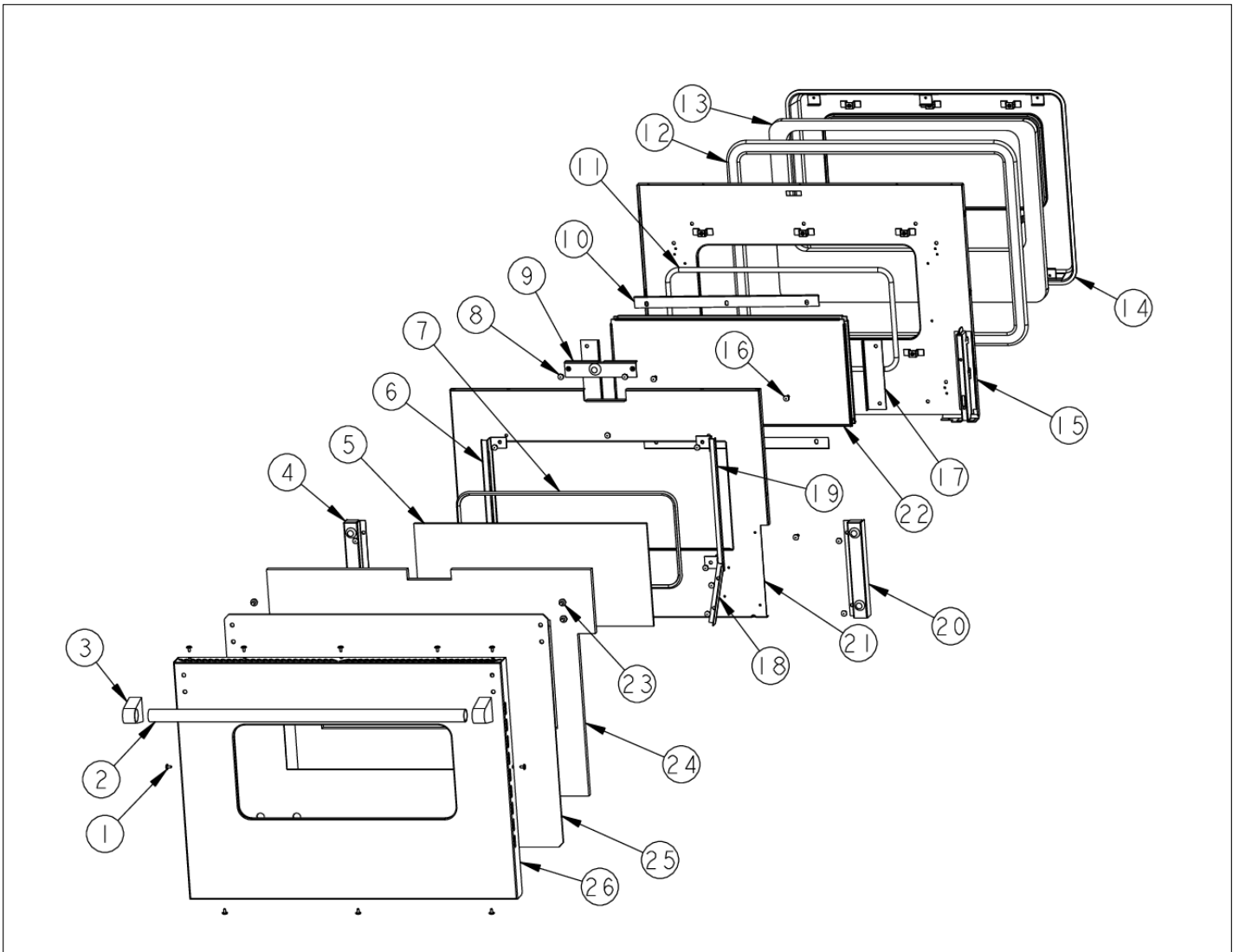


Item	Part No.	Name	Qty	Uom	NOTES
NI	G3202549AL	DOOR SUB-ASSY- RH *AL* (VDSC48)	1	EA	NO LONGER AVAILABLE, Not available online / Call for pricing and availability
NI	G3202549ALBR	DOOR SUB-ASSY- RH *AL**BR* (VDSC48)	1	EA	NO LONGER AVAILABLE, Not available online / Call for pricing and availability
NI	G3202549BK	DOOR SUB-ASSY- RH *BK* (VDSC48)	1	EA	Not available online / Call for pricing and availability
NI	G3202549BKBR	DOOR SUB-ASSY- RH *BK**BR* (VDSC48)	1	EA	NO LONGER AVAILABLE
NI	G3202549BT	DOOR SUB-ASSY-RH *BT* (VDSC48)	1	EA	NO LONGER AVAILABLE, Not available online / Call for pricing and availability
NI	G3202549BTBR	COMPLETE DOOR ASSEMBLY - BTBR	1	EA	Not available online / Call for pricing and availability
NI	G3202549BU	DOOR SUB-ASSY- RH *BU* (VDSC48)	1	EA	NO LONGER AVAILABLE
NI	G3202549BUBR	DOOR SUB-ASSY- RH *BU**BR* (VDSC48)	1	EA	NO LONGER AVAILABLE, Not available online / Call for pricing and availability
NI	G3202549CB	DOOR SUB-ASSY-RH *CB* (VDSC48)	1	EA	NO LONGER AVAILABLE, Not available online / Call for pricing and availability
NI	G3202549CBBR	COMPLETE DOOR ASSEMBLY - CBBR	1	EA	Not available online / Call for pricing and availability
NI	G3202549EP	DOOR SUB-ASSY- RH *EP* (VDSC48)	1	EA	NO LONGER AVAILABLE, Not available online / Call for pricing and availability
NI	G3202549EPBR	COMPLETE DOOR ASSEMBLY - EPBR	1	EA	Not available online / Call for pricing and availability





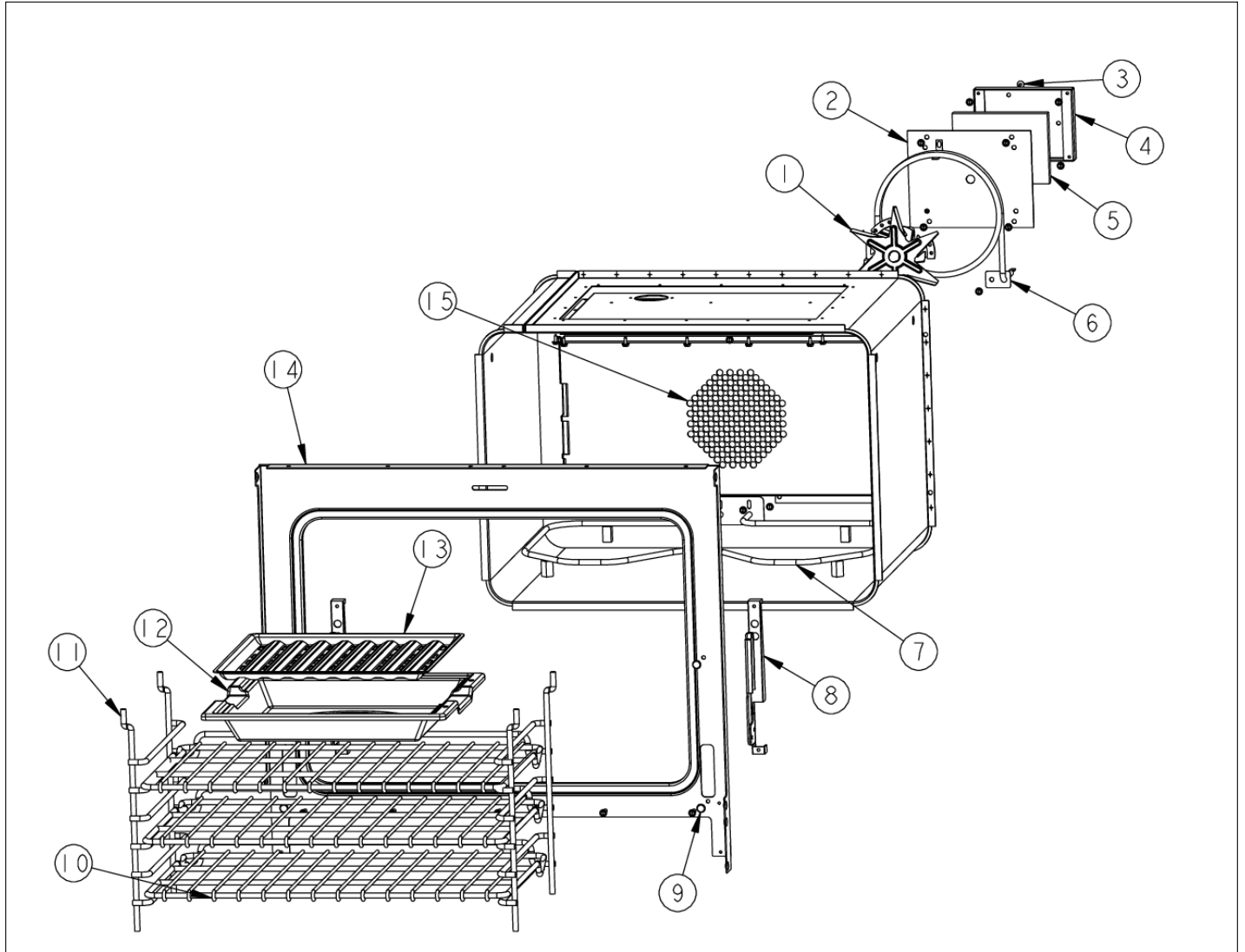
Item	Part No.	Name	Qty	Uom	NOTES
NI	G3202549FG	DOOR SUB-ASSY- RH *FG* (VDSC48)	1	EA	NO LONGER AVAILABLE, Not available online / Call for pricing and availability
NI	G3202549FGBR	DOOR SUB-ASSY- RH *FG**BR* (VDSC48)	1	EA	NO LONGER AVAILABLE, Not available online / Call for pricing and availability
NI	G3202549GG	DOOR SUB-ASSY-RH *GG* (VDSC48)	1	EA	NO LONGER AVAILABLE, Not available online / Call for pricing and availability
NI	G3202549GGBR	DOOR SUB-ASSY- RH *GG*BR* (VDSC48)	1	EA	NO LONGER AVAILABLE, Not available online / Call for pricing and availability
NI	G3202549LE	DOOR SUB-ASSY-RH *LE* (VDSC48)	1	EA	NO LONGER AVAILABLE, Not available online / Call for pricing and availability
NI	G3202549LEBR	COMPLETE DOOR ASSEMBLY - LEBR	1	EA	Not available online / Call for pricing and availability
NI	G3202549MJ	DOOR SUB-ASSY-RH *MJ* (VDSC48)	1	EA	NO LONGER AVAILABLE, Not available online / Call for pricing and availability
NI	G3202549MJBR	COMPLETE DOOR ASSEMBLY - MJBR	1	EA	Not available online / Call for pricing and availability
NI	G3202549SG	DOOR SUB-ASSY- RH *SG* (VDSC48)	1	EA	NO LONGER AVAILABLE
NI	G3202549SGBR	COMPLETE DOOR ASSEMBLY - SGBR	1	EA	Not available online / Call for pricing and availability
NI	G3202549SS	DOOR SUB-ASSY- RH *SS* (VDSC48)	1	EA	
NI	G3202549SSBR	DOOR SUB-ASSY- RH *SS**BR* (VDSC48)	1	EA	NO LONGER AVAILABLE, Not available online / Call for pricing and availability





Item	Part No.	Name	Qty	Uom	NOTES
NI	G3202549VB	DOOR SUB-ASSY- RH *VB* (VDSC48)	1	EA	NO LONGER AVAILABLE, Not available online / Call for pricing and availability
NI	G3202549VBBR	DOOR SUB-ASSY- RH *VB**BR* (VDSC48)	1	EA	NO LONGER AVAILABLE, Not available online / Call for pricing and availability
NI	G3202549WH	DOOR SUB-ASSY- RH *WH* (VDSC48)	1	EA	NO LONGER AVAILABLE, Not available online / Call for pricing and availability
NI	G3202549WHBR	DOOR SUB-ASSY- RH *WH**BR* (VDSC48)	1	EA	NO LONGER AVAILABLE, Not available online / Call for pricing and availability

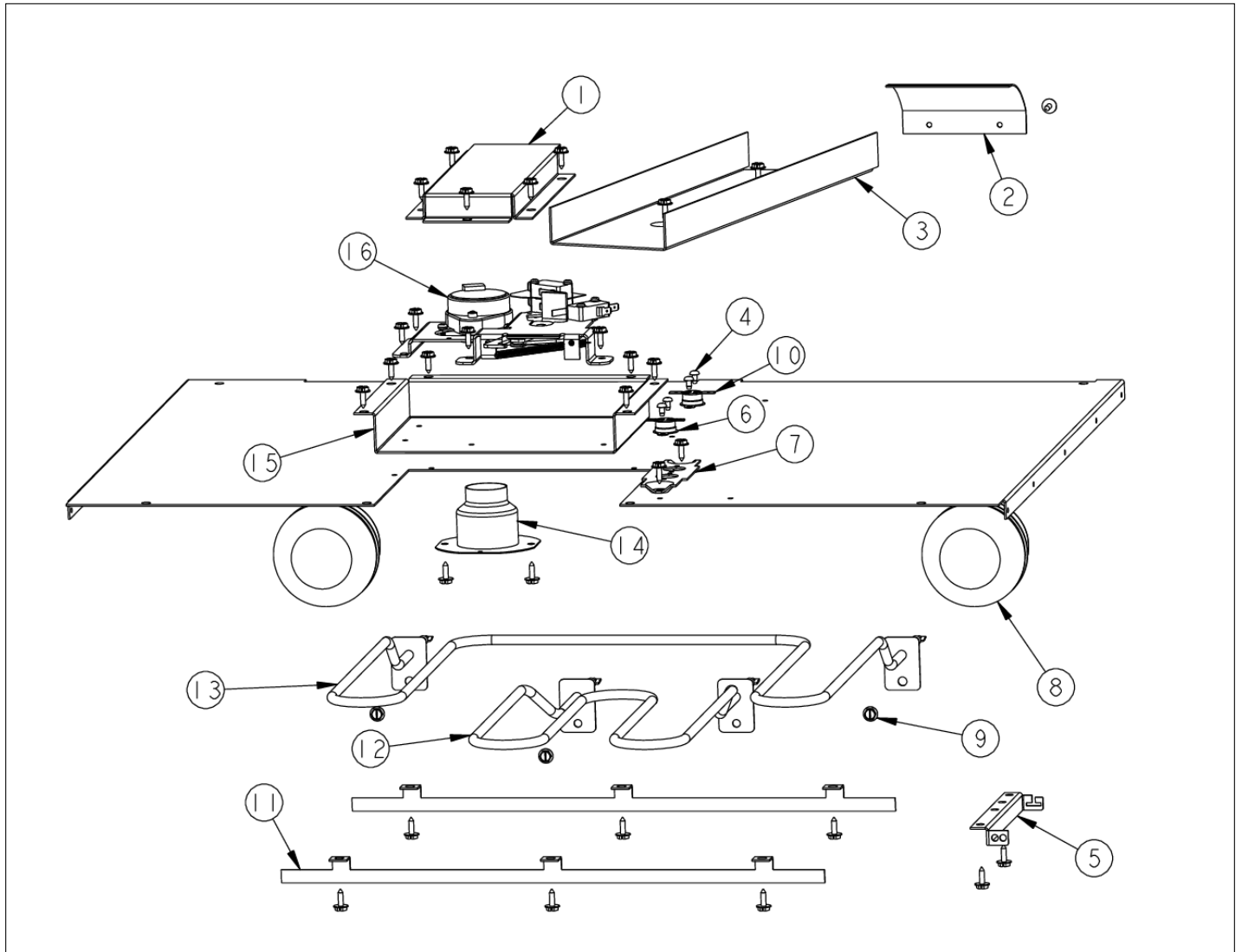
RH OVEN MAIN CAVITY





Item	Part No.	Name	Qty	Uom	NOTES
1	PE050005	CONVECTION FAN ASSY	1	EA	
2	A1002596	CONVECTION FAN COVER (VDSC)	1	EA	
3	PD020003	#10 X 1/2 T(A) HEX WASHER HEAD	1	EA	
4	A2002595	CONVECTION FAN BOX (VDSC)	1	EA	
5	PB070208	CONVECTION FAN INSULATION	1	EA	
6	PJ010003	CONVECTION ELEMENT (VDSC) 240V	1	EA	
7	PJ010004	BAKE ELEMENT (VDSC) 240V	1	EA	
8	PC020003	HINGE ASSY (BLUE)	1	EA	
9	PD020033	SRW #10-24 X 1/2" T (23) PH WFR HD (NKL)	1	EA	
10	PB060044	OVEN RK VDSC30/48RH REPL PB060019	1	EA	
11	PB060030	RACK SUPT REPL PB060010	1	EA	
12	E9107933	BROILER PAN	1	EA	
13	E9107934	BROILER PAN INSERT - NLA	1	EA	
14	G9102521	FRONT FRAME ASSY RH (VDSC48)	1	EA	
15	E9102170	CONVECTION FAN COVER	1	EA	

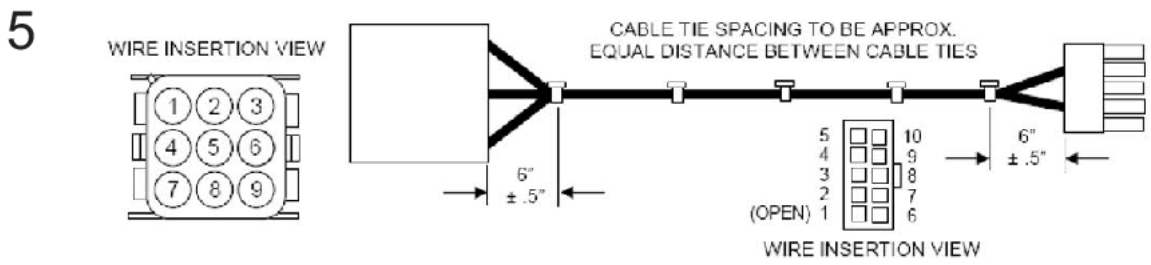
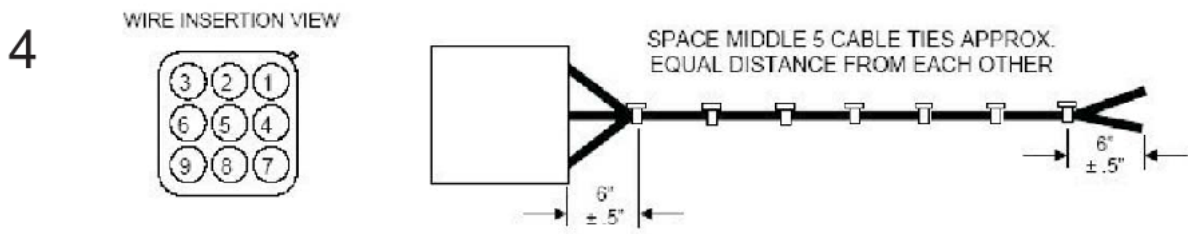
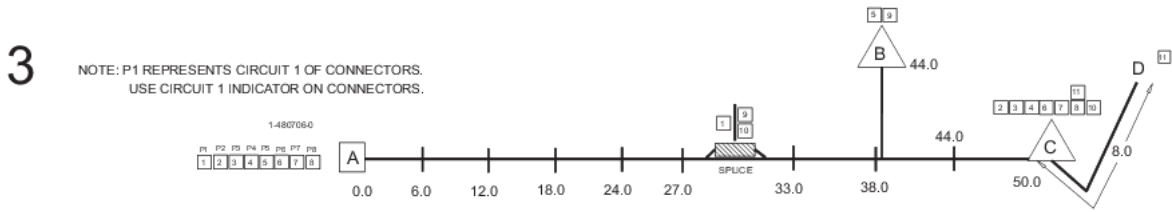
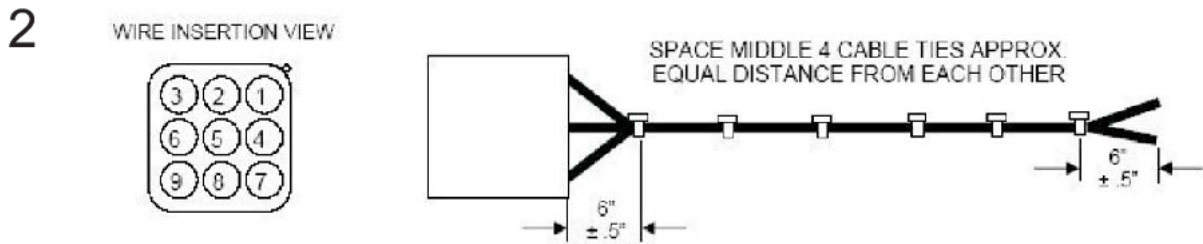
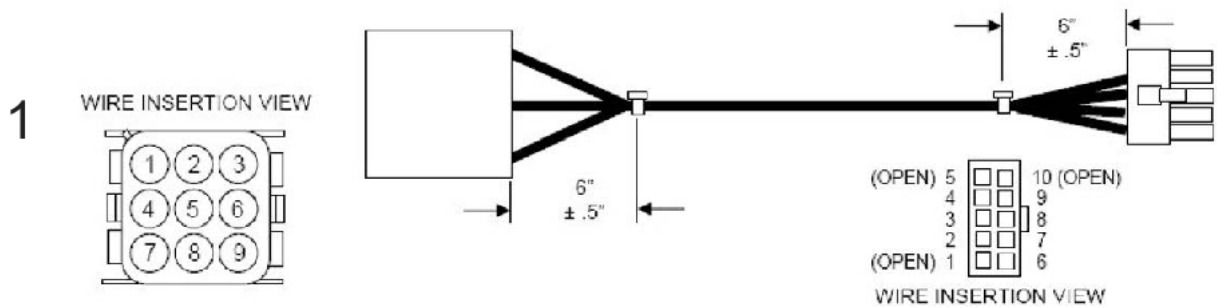
RH OVEN UPPER CAVITY





Item	Part No.	Name	Qty	Uom	NOTES
1	A2002479	SMOKE ELIMINATOR VENT (VDSC)	1	EA	
2	A2002478	AIR SCOOP (VDSC)	1	EA	NO LONGER AVAILABLE, Not available online / Call for pricing and availability
3	A2002450	LATCH COOLING DUCT (VDSC)	1	EA	NO LONGER AVAILABLE, Not available online / Call for pricing and availability
4	PD020006	' #6-32 X 1/4" PH.PAN HD. T(F)	1	EA	
5	B20012039	THERMAL BULB BRACKET	1	EA	Not available online / Call for pricing and availability
6	PJ030006	SWITCH (COOLING FAN)	1	EA	
7	A10014918	THERMODISC BRACKET	1	EA	Not available online / Call for pricing and availability
8	031449-000	LAMP, ASM	1	EA	
9	PD020003	#10 X 1/2 T(A) HEX WASHER HEAD	1	EA	
10	PJ030005	SWITCH (HIGH-LIMIT) VDSC	1	EA	
11	B20012072	BROILER ELEMENT BRACKET	1	EA	NO LONGER AVAILABLE
12	PJ010001	BROIL ELEMENT 240V	1	EA	
13	PJ010002	BROIL ELEMENT(MAXI)-SIDE (VDSC)240V	1	EA	
14	PM010014	SMOKE ELIMINATOR (VDSC)	1	EA	
15	A2002168	DOOR LATCH BRKT (VDSC)	1	EA	
16	PE050053	DR LATCH REPL PE050020	1	EA	

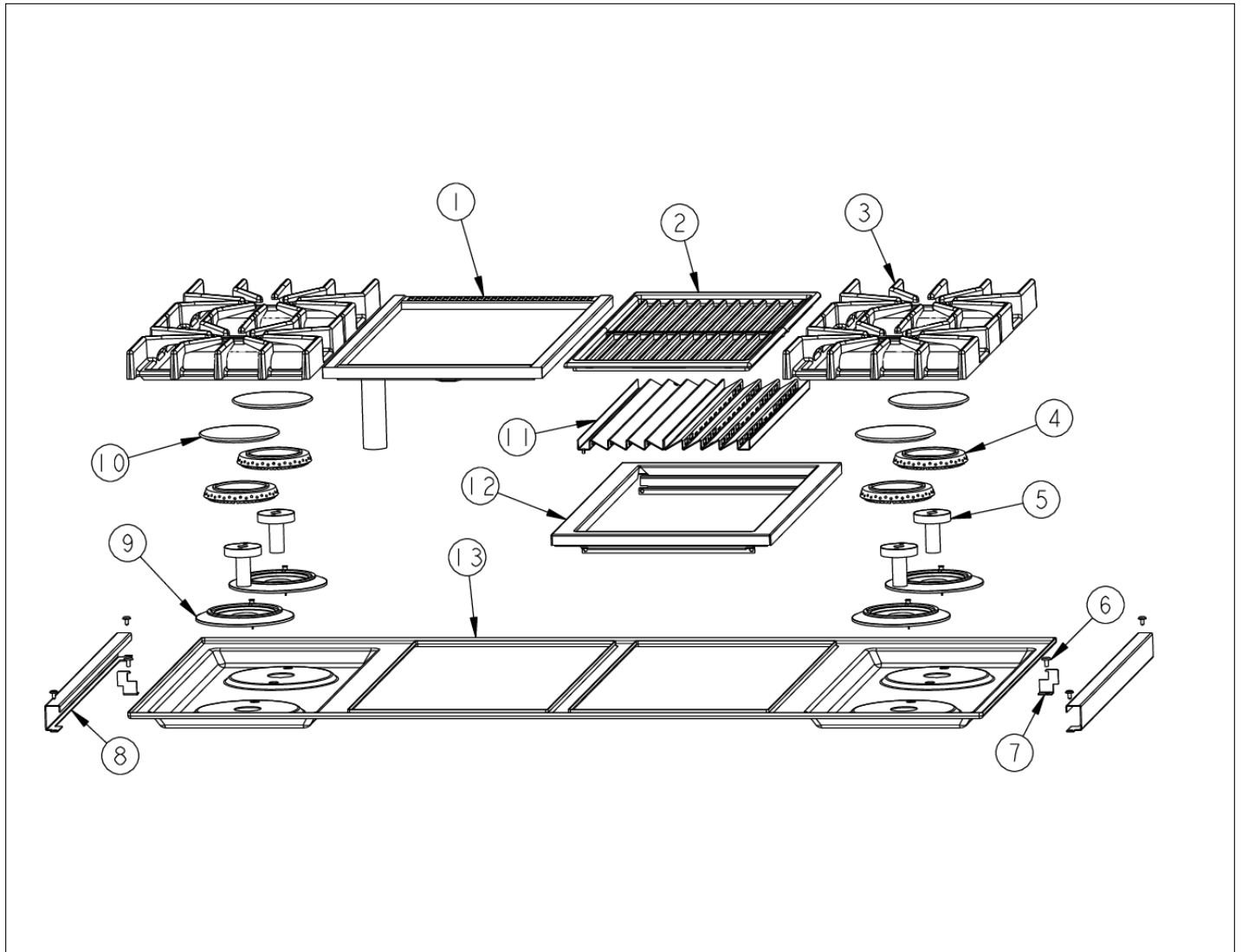
SIMPLE HARNESSES





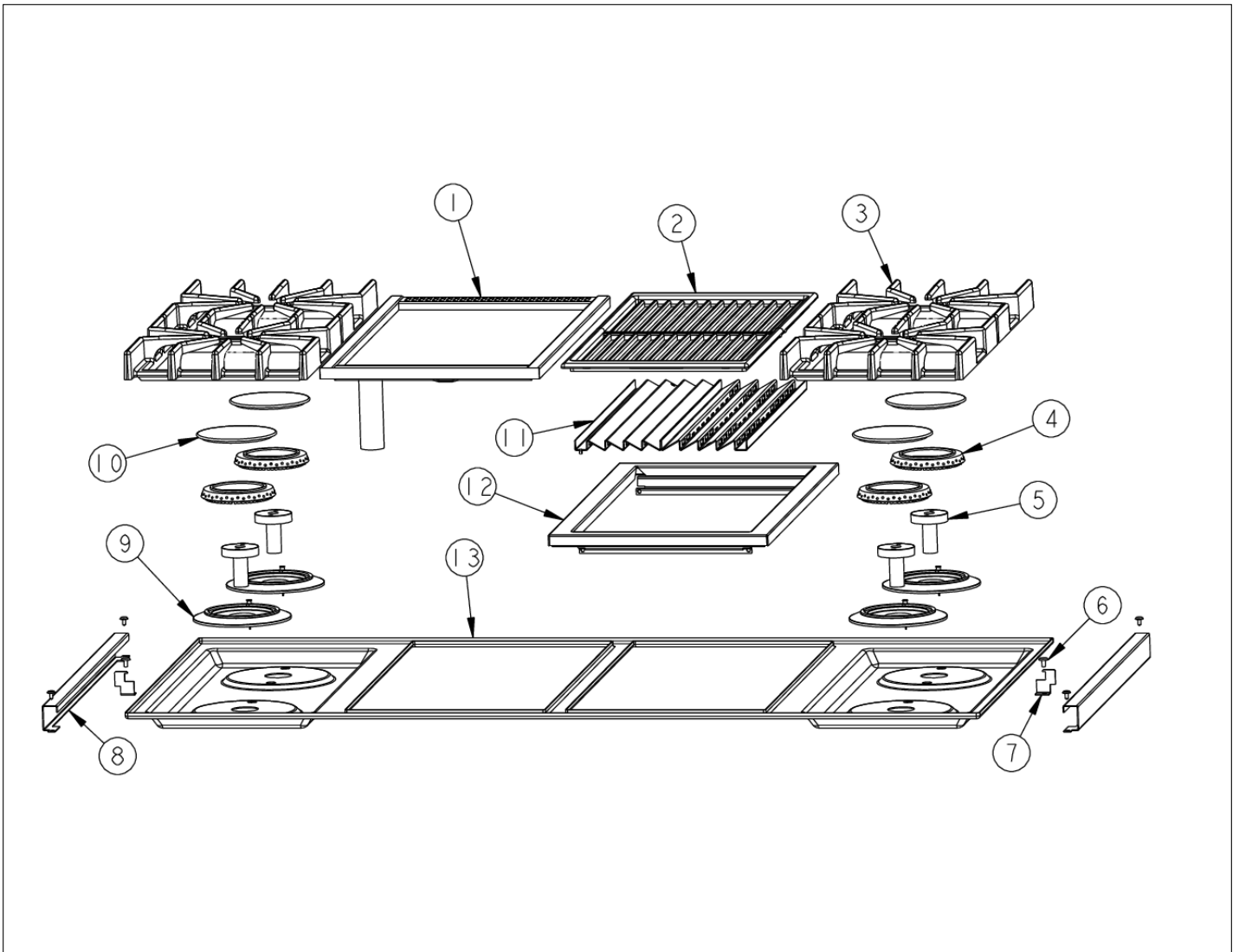
Item	Part No.	Name	Qty	Uom	NOTES
1	PE070776	LH REAR SELECTOR HARNESS	1	EA	NO LONGER AVAILABLE
2	PE070777	LH 5 POS SELECTOR HARNESS	1	EA	NO LONGER AVAILABLE
3	PE070778	LH TSTAT/GRIDDLE HARNESS	1	EA	Not available online / Call for pricing and availability
4	PE070779	RH 8 POS SELECTOR HARNESS	1	EA	
5	PE070780	RH REAR SELECTOR HARNESS	1	EA	

SURFACE COOKING AREA





Item	Part No.	Name	Qty	Uom	NOTES
1	003208-000	12" SEALED GRIDDLE FRAME ASSY	1	EA	
2	PA060058	GRILL GRATE - MATT *BK* RE PA060028	1	EA	
3	PA060054	Burner Grate - BK	1	EA	
4	PB050063	Burner Head	1	EA	
Not Shown	NOTE	(Before 12/18/07)		EA	
NI	018200-000	ADJUSTED SEALED BURNER HEAD	1	EA	
Not Shown	NOTE	(After 12/18/07)		EA	
5	PA010100	Burner Venturi	1	EA	
Not Shown	NOTE	(Before 12/18/07)		EA	
6	PD020033	SRW #10-24 X 1/2" T (23) PH WFR HD (NKL)	1	EA	
7	A2007858	SIDE TRIM BRKT	1	EA	
8	B2007868	IC SEALED SIDE TRIM	1	EA	
Not Shown	C9307868BR	IC SEALED SIDE TRIM *BR*	1	EA	
9	PB050081	BURNER BASE ASM	1	EA	
Not Shown	NOTE	(INCLUDES IGNITER) - BEFORE 12/18/07		EA	
NI	003322-040	SEALED BURNER BASE, TURNED FINISH	1	EA	
Not Shown	NOTE	(INCLUDES IGNITER) - AFTER 12/18/07		EA	
10	PA080083	D BURNER CAP *MATTE BLACK*	1	EA	
11	E9101130BK	GRILL SMOKE GENERATOR	1	EA	
12	G9109808	GRILL SUPPORT ASSY *BK*	1	EA	
12	G9109808WH	GRILL SUPPORT ASSY *WH*	1	EA	NO LONGER AVAILABLE
13	E9109803BK	48" SEALED COOKTOP 4BGQ *BK*	1	EA	
13	E9109803WH	48" SEALED COOKTOP 4BGQ *WH*	1	EA	NO LONGER AVAILABLE
NI	009197-000	#6-32 X 5/8 18-8 SS NC SOC CAP	1	EA	



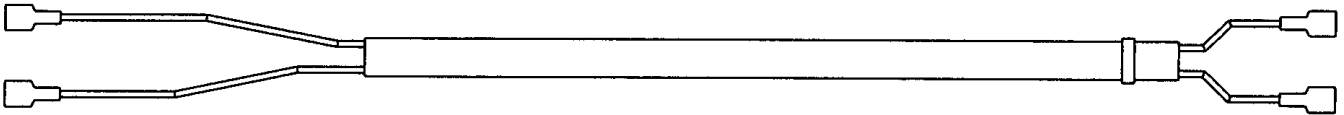


Item	Part No.	Name	Qty	Uom	NOTES
Not Shown	NOTE	(After 12/18/07)		EA	

TOP BURNER IGNITER WIRE KIT

1

NOTE: EACH "KIT" WILL CONTAIN SEVERAL SETS OF IGNITOR WIRES (AS SHOWN BELOW). THESE SHOULD BE BUNDLED TOGETHER WITH TAPE & LABELED WITH THE KIT PURC. # , AND THE MODEL USAGE #.





Item	Part No.	Name	Qty	Uom	NOTES
1	PE070673	IGNITOR WIRE KIT - VDSC485-4GQ	1	EA	



Appendix A:Pages Index

BURNER BOX INTERIOR 1
CONTROL AREA 2
DRIP TRAY 3
ELECTRONICS 4
GRIDDLE SUBASSEMBLY 5
GRILL SUBASSEMBLY 6
LH DOOR ASSEMBLY 7
LH OVEN MAIN CAVITY 8
LH OVEN UPPER CAVITY 9
LOWER UNIT AND SIDE PANELS 10
PE070775 11
PE070781 12
PE070783 13
PE070787 14
PE070804 15
REAR SHEET METAL 16
RH DOOR ASSEMBLY 17
RH OVEN MAIN CAVITY 18
RH OVEN UPPER CAVITY 19
SIMPLE HARNESSSES 20
SURFACE COOKING AREA 21
TOP BURNER IGNITER WIRE KIT 22



Appendix B:Parts Index

000268-000	7, 17	A2002180	16
000594-000	7, 17	A2002189	7, 17
000623-000	7, 17	A2002193	16
001394-042	1	A2002195	16
001394-043	1	A2002367	7, 17, 17
001396-000	1	A2002450	9, 19
002569-000	2	A2002454	16
003208-000	21	A2002478	9, 19
003322-040	21	A2002479	19
003515-000	2	A2002497	17
003536-000	2	A2002498	7, 17
005990-000	1	A2002499	7, 17
007147-000	2, 5	A2002536	9
009197-000	21	A2002537	16
018200-000	21	A2002544	1
031449-000	9, 19	A2002545	1
050172-000	2	A2002595	18
A1001138	2	A2002654	16
A10014918	9, 19	A2004296	16
A1002456	4	A2005735	16
A1002457	16	A2007858	21
A1002596	18	A2007862	5
A1006344	1	A2007863	6
A1007861	5, 6	A2007867	5
A2000210	16	A2007871	6
A20010162	6	A2007942	7
A20010470	5	A2007943	17
A20010693	3	A2009580	5
A20011240	1	B20010163	6
A20011246	1	B20012039	19
A2001132	6	B20012072	19
A20012912	17	B2001241	10
A2001300	5	B2002504	7
A20014920	16	B2002514	9
A2001631	6	B2002515	9
A2001633	6	B2002528	17
A2001855	6	B2002535	10
A2001863	6	B2002597	10
A2002168	9, 19	B2002598	10
A2002169	17	B2007868	21
		B2009846	6



B92015423	2	C9002535BK	10
C9001241AL	10	C9002535BT	10
C9001241BK	10	C9002535BU	10
C9001241BT	10	C9002535CB	10
C9001241BU	10	C9002535EP	10
C9001241CB	10	C9002535FG	10
C9001241EP	10	C9002535GG	10
C9001241FG	10	C9002535LE	10
C9001241GG	10	C9002535MJ	10
C9001241LE	10	C9002535SG	10
C9001241MJ	10	C9002535VB	10
C9001241SG	10	C9002535WH	10
C9001241VB	10	C9002597AL	10
C9001241WH	10	C9002597BK	10
C9002504AL	7	C9002597BT	10
C9002504BK	7	C9002597BU	10
C9002504BT	7	C9002597CB	10
C9002504BU	7	C9002597EP	10
C9002504CB	7	C9002597FG	10
C9002504EP	7	C9002597GG	10
C9002504FG	7	C9002597LE	10
C9002504GG	7	C9002597MJ	10
C9002504LE	7	C9002597SG	10
C9002504MJ	7	C9002597VB	10
C9002504SG	7	C9002597WH	10
C9002504VB	7	C9002598AL	10
C9002504WH	7	C9002598BK	10
C9002528AL	17	C9002598BT	10
C9002528BK	17	C9002598BU	10
C9002528BT	17	C9002598CB	10
C9002528BU	17	C9002598EP	10
C9002528CB	17	C9002598FG	10
C9002528EP	17	C9002598GG	10
C9002528FG	17	C9002598LE	10
C9002528GG	17	C9002598MJ	10
C9002528LE	17	C9002598SG	10
C9002528MJ	17	C9002598VB	10
C9002528SG	17	C9002598WH	10
C9002528VB	17	C9307868BR	21
C9002528WH	17	E9101130BK	21
C9002535AL	10	E9102170	18



E9102668	7	G3202549BT	17
E9107933	18	G3202549BTBR	17
E9107934	18	G3202549BU	17
E9109803BK	21	G3202549BUBR	17
E9109803WH	21	G3202549CB	17
G30010697	3	G3202549CBBR	17
G3001168	2	G3202549EP	17
G30012657	6	G3202549EPBR	17
G30013336	3	G3202549FG	17
G3202509AL	7	G3202549FGBR	17
G3202509ALBR	7	G3202549GG	17
G3202509BK	7	G3202549GGBR	17
G3202509BKBR	7	G3202549LE	17
G3202509BT	7	G3202549LEBR	17
G3202509BTBR	7	G3202549MJ	17
G3202509BU	7	G3202549MJBR	17
G3202509BUBR	7	G3202549SG	17
G3202509CB	7	G3202549SGBR	17
G3202509CBBR	7	G3202549SS	17
G3202509EP	7	G3202549SSBR	17
G3202509EPBR	7	G3202549VB	17
G3202509FG	7	G3202549VBBR	17
G3202509FGBR	7	G3202549WH	17
G3202509GG	7	G3202549WHBR	17
G3202509GGBR	7	G9102518	8
G3202509LE	7	G9102521	18
G3202509LEBR	7	G9102745	17
G3202509MJ	7	G9102747	17
G3202509MJBR	7	G9109808	21
G3202509SG	7	G9109808WH	21
G3202509SGBR	7	G93011461PVD	3
G3202509SS	7	H9102502	7
G3202509SSBR	7	H9102507	7
G3202509VB	7	J1002506	7
G3202509VBBR	7	J1002511	7
G3202509WH	7	J1002594	17
G3202509WHBR	7	J2101749	3
G3202549AL	17	PA010012	2
G3202549ALBR	17	PA010100	21
G3202549BK	17	PA010122	2
G3202549BKBR	17	PA010123	2



PA020028	6	PB070268	1
PA020045	2	PC020003	8, 18
PA020048	4	PC030017	10
PA050086	1	PC040010	1
PA060054	21	PD010003	2
PA060058	21	PD010012	2
PA070003	2	PD010019	7, 17
PA080075	1	PD020002	1, 2, 5, 6, 7, 17
PA080083	21	PD020003	4, 8, 9, 16, 18, 19
PB010004	5	PD020004	4, 6
PB010103	2	PD020006	2, 4, 9, 19
PB010104	2	PD020014	4, 7, 17
PB010129	2	PD020032	7, 10, 17
PB010130	2	PD020033	2, 8, 10, 18, 21
PB010139	2	PD020046	2
PB010140	2	PD020076	1
PB010206	2	PD020079	3
PB010207	2	PD020185	4
PB010209	2	PD030005	2
PB010230	2	PD030006	7
PB010231	2	PD040004	3
PB010264	2	PD040005	2
PB020025	6	PD040028	3
PB020116	5	PE010030	7
PB020192	1	PE010031	7
PB020193	1	PE010068	7
PB040001	5	PE010076	7
PB040192	5	PE030001PVD	7, 17
PB040194	1	PE030005	17
PB040213	5	PE030008	7
PB040217	1	PE030012PVD	17
PB050063	21	PE030014PVD	7
PB050074	5	PE050005	18
PB050077	6	PE050016	2
PB050081	21	PE050017	2
PB060030	8, 18	PE050023	2
PB060044	18	PE050024	2
PB060046	8	PE050026	4
PB070076	7, 17	PE050053	9, 19
PB070145	17	PE060030	17
PB070208	18	PE060031	17



PE060045 17
PE060046 7
PE060048 7
PE060049 7
PE060062 7
PE060064 17
PE070147 4
PE070673 22
PE070775 11
PE070776 20
PE070777 20
PE070778 20
PE070779 20
PE070780 20
PE070781 12
PE070783 13
PE070786 4
PE070787 14
PE070804 15
PJ010001 9, 19
PJ010002 19
PJ010003 18
PJ010004 18
PJ010005 8
PJ010007 8
PJ030001 2
PJ030002 4
PJ030005 9, 19
PJ030006 9, 19
PJ030025 2
PK000007 1
PK000008 1
PM010014 9, 19
PS500033 2